



# API 594 Wafer Steel Check Valve

**2025A**  
ANSI CLASS 150  
2" - 24"

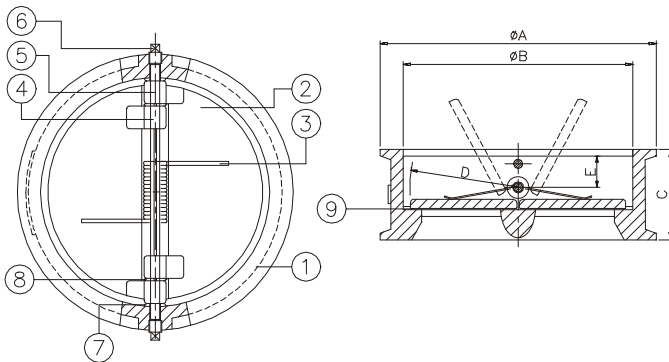
**Compact Wafer  
Stainless Steel Body**

**API 594 Face x Face  
Dimension**

**Double Disc Design  
Spring Loaded**



- Vertical & horizontal flows\*
  - Standard VITON Resilient seats
- Options:**  
NBR, Metal Seats



ITEM	PARTS	MATERIAL
1	BODY	ASTM A351-CF8M
2	DISCS	ASTM A351-CF8M
3	SPRING	AISI 316
4	HINGE PIN	AISI 316
5	STOP PIN	AISI 316
6	PLUG	AISI 316
7	BEARING	TEFLON
8	BEARING	TEFLON
9	SEAT	VITON

SIZE		2"	2-1/2"	3"	4"	5"	6"	8"	10"	12"	14"	16"	18"	20"	24"	
A	in	4.13	4.88	5.39	6.89	7.76	8.74	10.98	13.39	16.14	17.76	20.24	21.61	23.86	25.98	
	mm	105	124	137	175	197	222	279	340	410	451	514	549	606	660	
B	in	2.40	2.87	3.50	4.49	5.55	6.61	8.62	10.75	12.76	14.02	15.98	17.99	20.00	22.01	
	mm	61	73	89	114	141	168	219	273	324	356	406	457	508	559	
C	in	2.36	2.64	2.87	2.87	3.39	3.86	5.00	5.75	7.13	7.24	7.52	7.99	8.62	8.62	
	mm	60	67	73	73	86	98	127	146	181	184	191	203	219	219	
D	in	1.06	1.30	1.61	2.13	2.56	3.11	4.02	4.96	6.38	6.69	7.68	8.62	9.61	10.39	
	mm	27	33	41	54	65	79	102	126	162	170	195	219	244	264	
E	in	1.30	1.26	1.42	1.50	1.61	1.73	1.89	2.20	2.76	3.54	3.39	3.39	3.50	3.54	
	mm	33	32	36	38	41	44	48	56	70	90	86	86	89	90	
Weight	lb.	6.60	8.80	13.20	17.60	22.00	35.20	70.40	103.40	184.80	213.40	349.80	407.00	534.60	552.20	
	kg.	3	4	6	8	10	16	32	47	84	97	159	185	243	251	
Studs	Qty	4	4	4	8	8	8	8	12	12	12	16	16	20	20	
	Dia	in	0.63	0.63	0.63	0.63	0.75	0.75	0.75	0.88	0.88	1.00	1.00	1.13	1.13	1.25
		mm	16	16	16	16	19	19	19	22	22	25	25	28	28	32
	Length	in	6.00	7.00	7.00	7.00	8.25	8.25	9.75	11.00	12.25	13.25	14.50	15.25	15.50	16.75
mm		152	178	178	178	210	210	248	279	311	337	368	387	394	425	

PMP Precision Valve Company Ltd. Is a progressive supplier of current products. The features, materials of construction and dimensional data as detailed in this bulletin are intended for your reference only, and should not be relied upon unless confirmed in writing by PMP Precision Valve Co. Ltd.. Certified dimensional drawings are available upon order receipt.