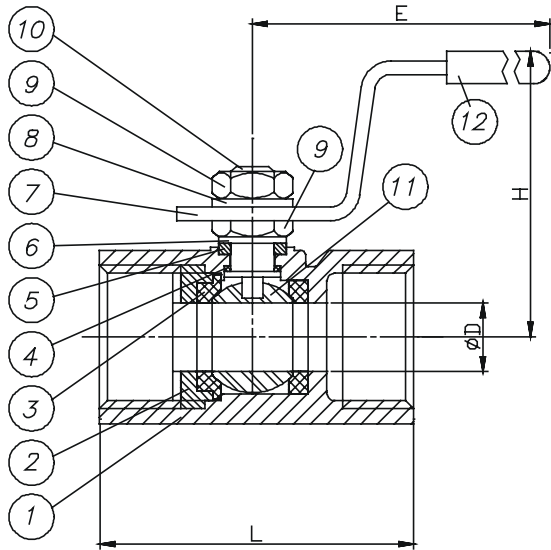
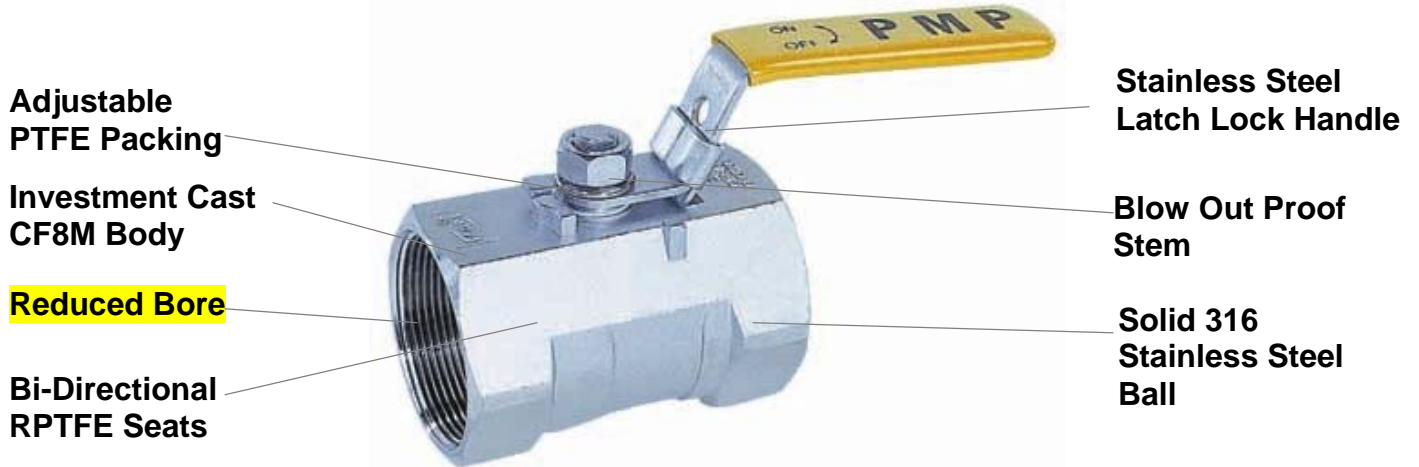




# 1 Piece Ball Valve Reduced Bore

# A101

800 WOG  
1/4" – 2"



NO	PART NAME	QTY	SPECIFICATION
1	BODY	1	CF8M
2	END CAP	1	CF8M
3	SEATS	2	RPTFE or PTFE
4	THRUST WASHER	1	PTFE
5	PACKING	1	PTFE
6	PACKING GLAND	1	SS304
7	HANDLE	1	SS304
8	STEM WASHER	1	SS304
9	STEM NUT	2	SS304
10	STEM	1	SS316
11	BALL	1	SS316
12	COVER	1	PLASTIC

SIZE		1/4 "	3/8 "	1/2 "	3/4 "	1 "	1-1/4 "	1-1/2 "	2 "
D	in	0.18	0.27	0.36	0.49	0.50	0.75	1.00	1.25
	mm	4.6	6.8	9.2	12.5	15	20	25	32
L	in	1.54	1.73	2.20	2.32	2.80	3.07	3.27	3.94
	mm	39	44	56	59	71	78	83	100
H	in	1.42	1.42	1.93	2.05	2.13	2.52	2.68	2.95
	mm	36	36	49	52	54	64	68	75
E	in	2.40	2.83	3.35	3.35	3.98	3.98	4.92	4.92
	mm	61	72	85	85	101	101	125	125

PMP Precision Valve Company Ltd. Is a progressive supplier of current products. The features, materials of construction and dimensional data as detailed in this bulletin are intended for your reference only, and should not be relied upon unless confirmed in writing by PMP Precision Valve Co. Ltd.. Certified dimensional drawings are available upon order receipt.