



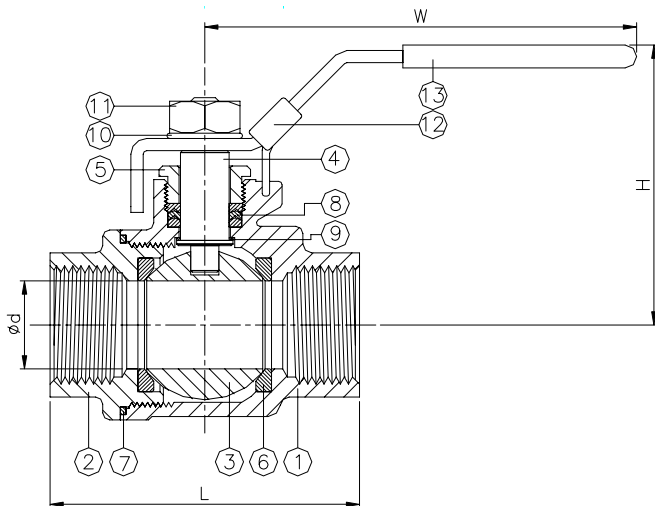
2 Piece Ball Valve Full Port

A202
2000 WOG
1/4" – 2"



Pressure Rating PSIG

- 1/4"~1" 2000
- 1-1/4"~2" 1500
- 2-1/2"~3" 1000. (M202)



ITEM	PARTS	MATERIAL
1	BODY	ASTM A351-CF8M
2	CAP	ASTM A351-CF8M
3	BALL	ASTM A351-CF8M
4	STEM	ASTM A276-316
5	GLAND NUT	AISI 304
6	SEATS	RPTFE
7	BODY SEAL	PTFE
8	PACKING	PTFE
9	THRUST WASHER	PTFE
10	SPRING WASHER	AISI 304
11	NUT	AISI 304
12	HANDLE	AISI 304
13	HANDLE SLEEVE	PVC

SIZE		1/4"	3/8"	1/2"	3/4"	1"	1-1/4"	1-1/2"	2"	2-1/2"	3"
d	in	0.46	0.5	0.5	0.75	1	1.25	1.5	2	2.5	3
	mm	10	12	15	20	25	32	40	50	65	80
L	in	2.36	2.36	2.56	3.07	3.54	3.94	4.72	5.43	7.28	8.07
	mm	53	53	58	69	80	89	106	122	185	205
H	in	1.97	1.97	1.97	2.36	2.76	3.15	3.54	3.54	5.59	6.14
	mm	44	44	44	53	62	71	80	80	142	156
W	in	3.94	3.94	3.94	4.92	6.3	6.3	7.48	7.48	10.24	10.24
	mm	89	89	89	111	142	142	169	169	260	260

PMP Precision valve Company Ltd. Is a progressive supplier of current products. The features, materials of construction and dimensional data as detailed in this bulletin are intended for your reference only, and should not be relied upon unless confirmed in writing by PMP Precision Valve Co. Ltd.. Certified dimensional drawings are available upon order receipt.