



# 3 Piece Ball Valve Full Port

## A301

1/4"-2" 1000 WOG  
2-1/2"-4" 800 WOG  
S.W. - N.P.T. - B.W.

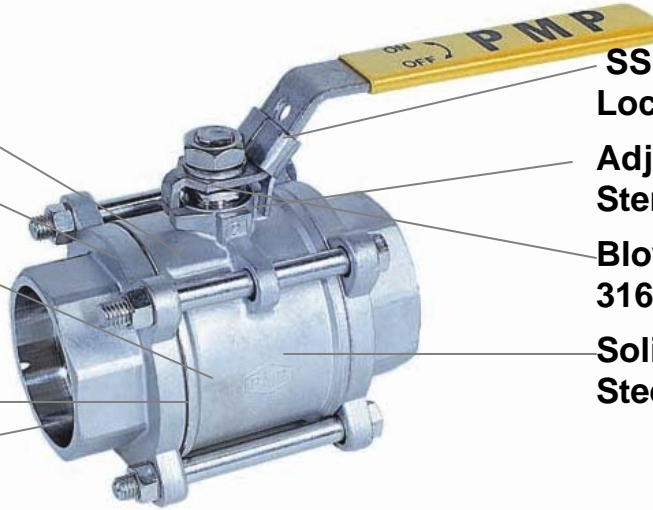
Investment Cast  
CF8M Body

PTFE Body Seals

Swing Out Body Design  
For Easy Inline  
Maintenance of all  
Internal Parts

Bi-Directional  
RPTFE Seats

**Full Bore** Design

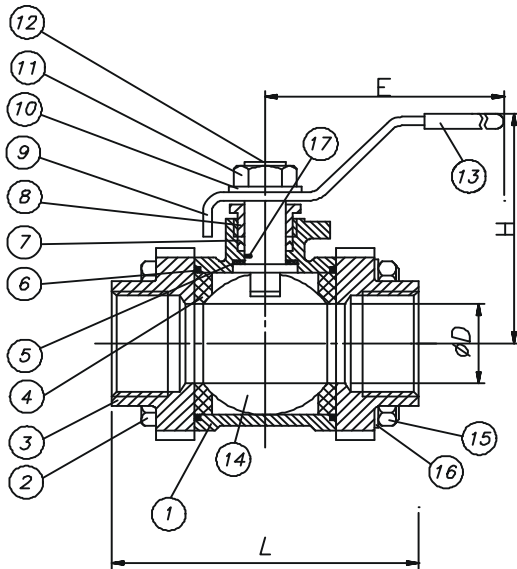


SS Latch  
Lock Handle

Adjustable PTFE  
Stem Packing

Blow-Out Proof  
316 S.S. Stem

Solid 316 Stainless  
Steel Ball



NO	PART NAME	Q'TY	SPECIFICATION
1	BODY	1	CF8M
2	BOLT	4	SS304 (4": 6Pcs)
3	END CAP	2	CF8M or CF3M
*4	SEATS	2	RPTFE
*5	THRUST WASHER	1	PTFE
*6	BODY GASKET	2	PTFE
*7	STEM PACKING	3	PTFE
8	GLAND	1	SS304
9	HANDLE	1	SS304
10	STEM WASHER	1	SS304
11	GLAND NUT	1	SS304
12	STEM	1	SS316
13	COVER	1	PLASTIC
14	BALL	1	SS316
15	HEX NUT	4	SS304 (4": 6Pcs)
16	BOLT WASHER	4	SS304 (4": 6Pcs)
17	ANTI STATIC (OPTIONAL)	1	SS304

SIZE		1/4"	3/8"	1/2"	3/4"	1"	1-1/4"	1-1/2"	2"	2-1/2"	3"	4"
D	INCH	0.46	0.50	0.60	0.79	0.99	1.26	1.50	1.97	2.56	3.15	3.94
	MM	11.6	12.5	15.0	20.0	25.0	32.0	38.0	50.0	65.0	80.0	100.0
L	INCH	2.70	2.70	2.88	3.31	3.57	4.41	4.73	5.78	6.84	8.08	10.52
	MM	68.5	68.5	73.0	84.0	90.5	112.0	120.0	146.8	173.5	205.2	267.0
H	INCH	2.13	2.13	2.31	2.58	2.92	3.55	3.78	4.13	4.81	5.04	6.15
	MM	54.0	54.0	58.5	65.5	74.0	90.0	96.0	104.7	122.0	128.0	156.0
E	INCH	3.86	3.86	4.14	4.73	5.91	6.30	7.09	7.09	9.85	9.85	11.26
	MM	98.0	98.0	105.0	120.0	150.0	160.0	180.0	180.0	250.0	250.0	286.0

PMP Precision Valve Company Ltd. Is a progressive supplier of current products. The features, materials of construction and dimensional data as detailed in this bulletin are intended for your reference only, and should not be relied upon unless confirmed in writing by PMP Precision Valve Co. Ltd. Certified dimensional drawings are available upon order receipt.