



Flanged Gate Valve

2054

ANSI 150/300
1-1/2" - 12"

STAINLESS STEEL

Flanged ends conform to:
ASME B16.5

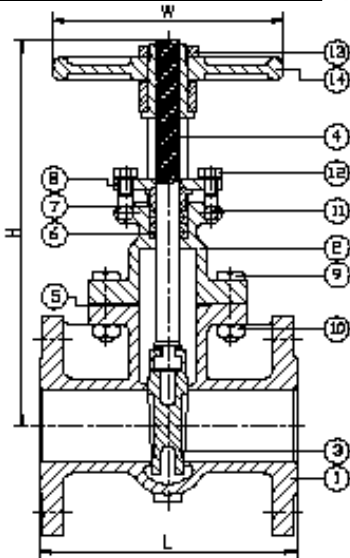
- Face to Face: ANSI B 16.10
- Designed to: ANSI B 16.34
- Options:**
 - Graphoil packing
 - On-Off, Control Actuation
 - Stem Extensions



OS & Y, Rising Stem

Bolted Bonnet

PTFE Packing



Class 150

ITEM	PARTS	MATERIAL
1	BODY	ASTM A351-CF8M
2	BONNET	CF8M
3	DISC	CF8M
4	STEM	ASTM A276-316
5	GASKET	PTFE
6	PACKING	PTFE
7	PACKING GLAND	AISI 316
8	GLAND FLANGE	ASTM A351-CF8M
9	BONNET BOLT	ASTM-A193-B8
10	BONNET NUT	ASTM A194-8
11	GLAND STUD	ASTM-A194-B8
12	GLAND NUT	ASTM A194-8
13	WHEEL NUT	AISI 304
14	HAND WHEEL	ASTM A536

SIZE		1-1/2"	2"	2-1/2"	3"	4"	6"	8"	10"	12"
L	in	6.5	7	7.5	8	9	10.5	11.5	13	14
	mm	165	178	191	203	229	267	292	330	356
H	in	13	15	15.5	17.25	21	26	35.83	43.98	52.13
	mm	330	381	394	438	533	660	910	1117	1324
W	in	8	8	8	10	10	12	14	18	20
	mm	203	203	203	254	254	305	356	457	508

Class 300

SIZE		1-1/2"	2"	2-1/2"	3"	4"	6"
L	in	7.5	8.5	9.5	11.13	12	15.88
	mm	191	216	241	283	305	403
H	in	14.75	17	18.25	20.38	23.5	32.63
	mm	375	432	464	518	597	829
W	in	8	8	8	10	10	12
	mm	203	203	203	254	254	305