



Instrumentation Ball Valve Compression Ends

M380I

Class 900

1/4" - 3/4"

Locking Tab Washer

Keeps Lock nut from loosening in High Cycle Automated Applications

ISO 5211 Mounting Pad

Allows direct mounting of actuators, eliminating costly brackets & adapters

PTFE Self-Adjusting Stem Seals

PTFE Thrust Washer

Compression Ends

- ANSI B16.34 class 900 construction RPTFE (1440psi) DELRIN (2160psi)
- Quick Assembly & Disassembly
- Blow out proof, anti-static stem

Live Loaded Stem Packing

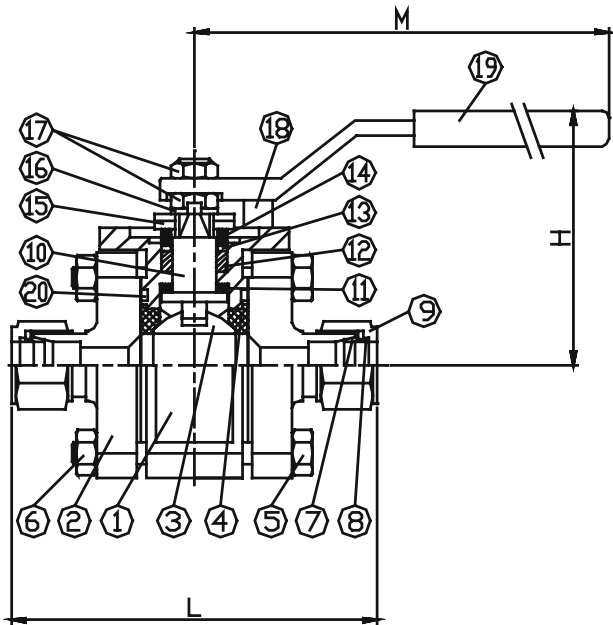
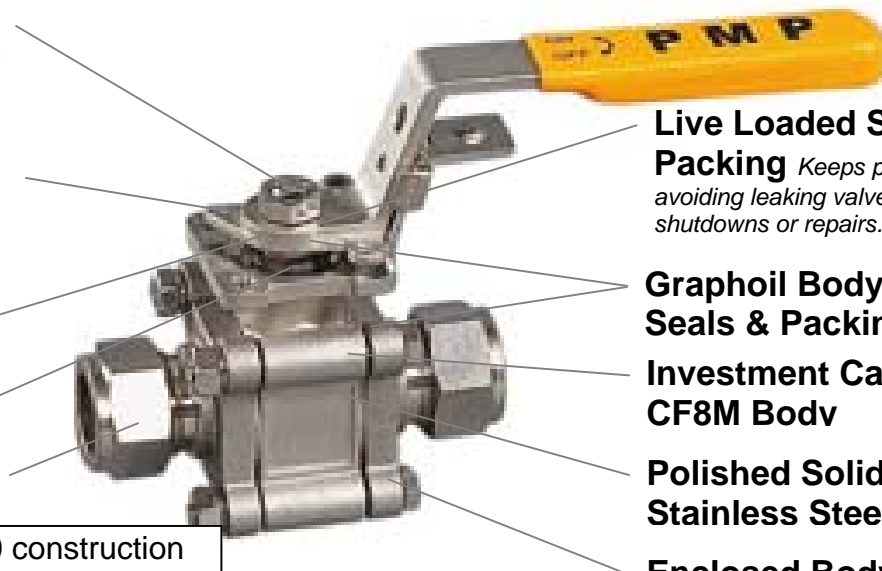
Keeps packing tight avoiding leaking valves and costly shutdowns or repairs.

Graphoil Body Seals & Packing

Investment Cast CF8M Body

Polished Solid Stainless Steel Ball

Enclosed Body Bolts.



ITEM	PART	QTY	MATERIAL
1	Body	1	CF8M
2	End Cap	2	CF8M
3	Ball	1	SS316
4	Seats	2	RPTFE or DELRIN
5	Body Bolt	4	A193 Gr. B 8
6	Body Bolt Nuts	4	A194 Gr. 8
7	Front Ferrule	2	SS316
8	Back Ferrule	2	SS316
9	Nut	2	SS316 Plated
10	Anti Static Stem	1	SS316
11	Stem Seal	1	PTFE
12	Stem Packing	1 set	PTFE
13	Bushing	1	PTFE
14	Gland	1	SS304
15	Belleville Washer	2	SS301
16	Lock Saddle	1	SS304
17	Stem Nut	2	SS304
18	Bolt Nut	1	A194 Gr. 8
19	Handle Sleeve	1	PVC
20	Joint Gasket	2	PTFE

SIZE		1/4"	3/8"	1/2"	3/4"
L	in	3.28	3.19	3.55	3.98
	mm	83.3	81	90.2	101
M	in	4.53	4.53	4.53	5.12
	mm	115	115	115	130
H	in	2.50	2.50	2.50	3.23
	mm	63.5	63.5	63.5	82
ISO 5211		F03	F03	F03	F04