



Position Transmitter

PTM-5

Specification

PTM-5L

Linear



PTM-5R

Rotary

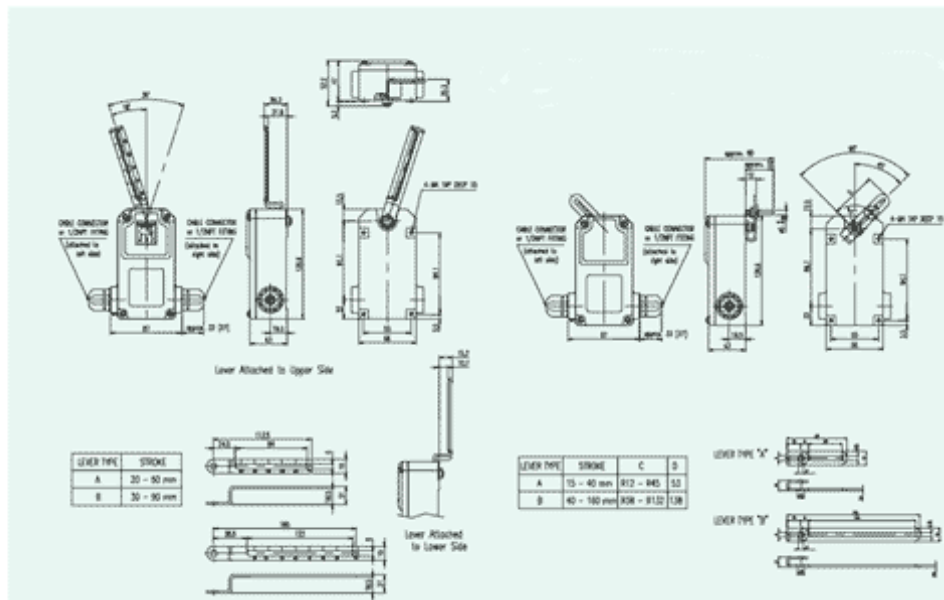


| Type | PTM-5L | PTM-5R |
|-----------------|--------|-------------------------|
| Input Type | | 2 Wire |
| Input Signal | 36° | 90° |
| Output Signal | | 4 ~ 20ma |
| Load Resistance | | 0 ~ 600 Ohm |
| Supply Voltage | | 15 ~ 30V DC |
| Noise Range | | 50mVp.p |
| Conduit | | 1/2"NPT |
| Protection | | IP67 |
| Ambient Temp | | -8 ~ + 70°C(17.6~158°F) |
| Linearity | | ±1% F.S. |
| Sensitivity | | ±0.2% F.S. |
| Hysteresis | | 0.2% F.S. |
| Weight | | 1.1kg (2.4 lb) |
| Material | | Aluminum |

Ordering Symbols : PTM-5

| Model | Actuator motion | Lever type | |
|-------|-----------------|-------------|---------|
| | | Linear | Rotary |
| PTM-5 | L Linear | 1 60mm | 1 40mm |
| | R Rotary | 2 30 ~ 90mm | 2 130mm |

Dimensions



PMP Precision Valve Company Ltd. Is a progressive supplier of current products. The features, materials of construction and dimensional data as detailed in this bulletin are intended for your reference only, and should not be relied upon unless confirmed in writing by PMP Precision Valve Co. Ltd.. Certified dimensional drawings are available upon order receipt.