

Globe Valve

2028

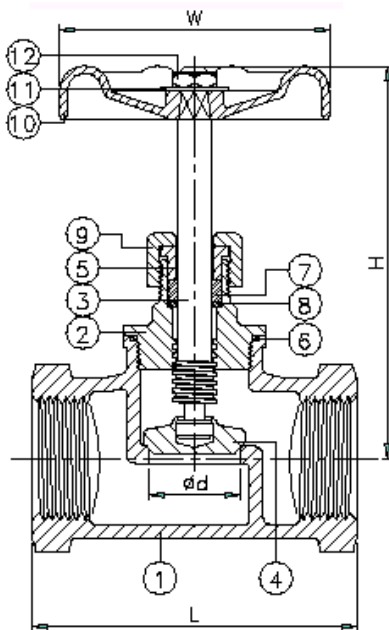
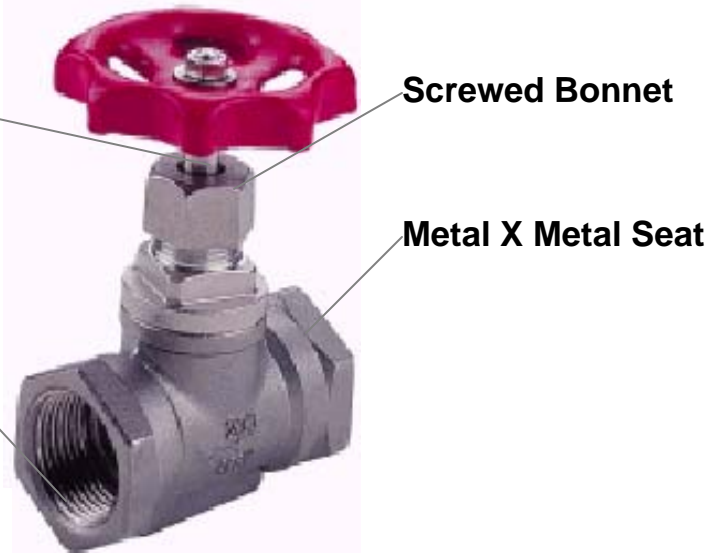
600 WOG

1/2" -2"

Non-Rising Stem

Threaded ends conform to ASME B1.20.1 (NPT)

- Investment cast body
- Max working pressure 600psi CWP
- Option:**
PTFE Seat



ITEM	PARTS	MATERIAL
1	BODY	ASTM A351-CF8M
2	BONNET	ASTM A351-CF8M
3	STEM	AISI 316
4	DISC	AISI 316
5	GLAND RING	AISI 304
6	GASKET	PTFE
7	PACKING	PTFE
8	WASHER	AISI 316
9	GLAND NUT	ASTM A351-CF8M
10	HAND WHEEL	SS 400
11	NAME PLATE	ALUMINUM
12	NUT	AISI 304

SIZE		1/2"	3/4"	1"	1-1/4"	1-1/2"	2"
L	in	2.48	2.76	3.03	3.43	3.94	4.33
	mm	63	70	77	87	100	110
H	in	4.17	4.17	4.57	4.80	5.67	5.71
	mm	106	106	116	122	144	145
W	in	2.44	2.44	2.95	2.95	3.74	3.74
	mm	62	62	75	75	95	95
Weight	lb	0.9	1	1.4	2.3	3.1	4.6
	kg	0.4	0.5	0.7	0.9	1.35	1.65
Cv		3.8	7	11	21	29	50