



# Threaded Y-Strainer

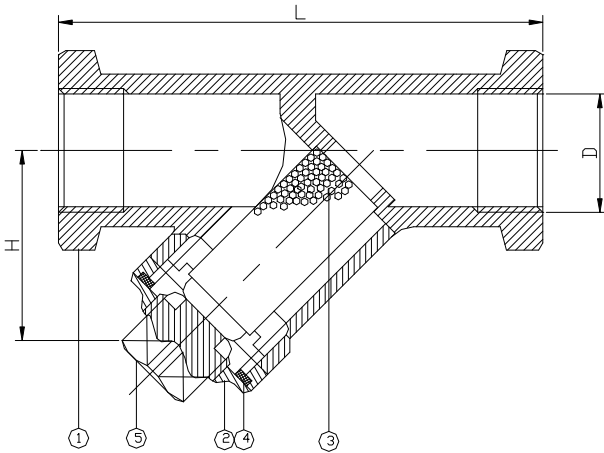
**2049**  
600 WOG  
1/4" - 2"

Threaded ends conform to:  
**ASME B1.20.1**

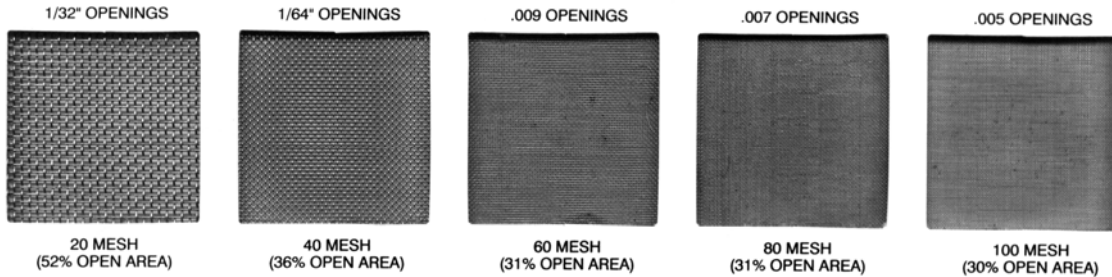


**Investment cast CF8M  
Stainless Steel body**

- Max temperature 445° F
- S.S. Standard Screen 0.032
- Options:**
- Blow Down Valve
- Various size screens and mesh liners



ITEM	PARTS	MATERIAL
1	BODY	ASTM A351-CF8M
2	CAP	ASTM A351-CF8M
3	SCREEN	AISI 316
4	GASKET	PTFE
5	DRAIN PLUG	ASTM A351-CF8M



MESH SIZES OTHER THAN SHOWN - AVAILABLE ON APPLICATION

SIZE		1/4"	3/8"	1/2"	3/4"	1"	1-1/4"	1-1/2"	2"
L	in	2.24	2.24	2.40	2.76	3.39	3.94	4.37	5.43
	mm	57	57	61	70	86	100	111	138
H	in	1.26	1.26	1.46	1.61	1.85	2.13	2.44	2.99
	mm	32	32	37	41	47	54	62	76
D	in	0.39	0.39	0.59	0.79	0.98	1.26	1.50	2.01
	mm	10	10	15	20	25	32	38	51
weight	lbs	0.55	0.55	0.616	0.88	1.32	1.98	2.53	3.63
	kgs	0.25	0.25	0.28	0.40	0.60	0.90	1.15	1.65

PMP Precision Valve Company Ltd. Is a progressive supplier of current products. The features, materials of construction and dimensional data as detailed in this bulletin are intended for your reference only, and should not be relied upon unless confirmed in writing by PMP Precision Valve Co. Ltd.. Certified dimensional drawings are available upon order receipt.