



Flanged Gate Valve

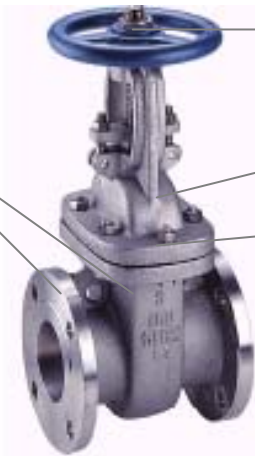
2054

ANSI 150/300
1-1/2" - 12"

STAINLESS STEEL

Flanged ends conform to:
ASME B16.5

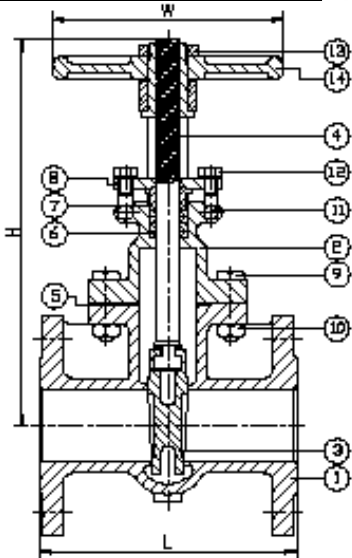
- Face to Face: ANSI B 16.10
- Designed to: ANSI B 16.34
- Options:**
 - Graphoil packing
 - On-Off, Control Actuation
 - Stem Extensions



OS & Y, Rising Stem

Bolted Bonnet

PTFE Packing



Class 150

| ITEM | PARTS | MATERIAL |
|------|---------------|----------------|
| 1 | BODY | ASTM A351-CF8M |
| 2 | BONNET | CF8M |
| 3 | DISC | CF8M |
| 4 | STEM | ASTM A276-316 |
| 5 | GASKET | PTFE |
| 6 | PACKING | PTFE |
| 7 | PACKING GLAND | AISI 316 |
| 8 | GLAND FLANGE | ASTM A351-CF8M |
| 9 | BONNET BOLT | ASTM-A193-B8 |
| 10 | BONNET NUT | ASTM A194-8 |
| 11 | GLAND STUD | ASTM-A194-B8 |
| 12 | GLAND NUT | ASTM A194-8 |
| 13 | WHEEL NUT | AISI 304 |
| 14 | HAND WHEEL | ASTM A536 |

| SIZE | | 1-1/2" | 2" | 2-1/2" | 3" | 4" | 6" | 8" | 10" | 12" |
|------|----|--------|-----|--------|-------|-----|------|-------|-------|-------|
| L | in | 6.5 | 7 | 7.5 | 8 | 9 | 10.5 | 11.5 | 13 | 14 |
| | mm | 165 | 178 | 191 | 203 | 229 | 267 | 292 | 330 | 356 |
| H | in | 13 | 15 | 15.5 | 17.25 | 21 | 26 | 35.83 | 43.98 | 52.13 |
| | mm | 330 | 381 | 394 | 438 | 533 | 660 | 910 | 1117 | 1324 |
| W | in | 8 | 8 | 8 | 10 | 10 | 12 | 14 | 18 | 20 |
| | mm | 203 | 203 | 203 | 254 | 254 | 305 | 356 | 457 | 508 |

Class 300

| SIZE | | 1-1/2" | 2" | 2-1/2" | 3" | 4" | 6" |
|------|----|--------|-----|--------|-------|------|-------|
| L | in | 7.5 | 8.5 | 9.5 | 11.13 | 12 | 15.88 |
| | mm | 191 | 216 | 241 | 283 | 305 | 403 |
| H | in | 14.75 | 17 | 18.25 | 20.38 | 23.5 | 32.63 |
| | mm | 375 | 432 | 464 | 518 | 597 | 829 |
| W | in | 8 | 8 | 8 | 10 | 10 | 12 |
| | mm | 203 | 203 | 203 | 254 | 254 | 305 |