



# 3 Piece Ball Valve Fire Safe to API 607

# M380F

1/2"-2" Class 600  
2-1/2" - 3" Class 300

### Locking Tab Washer

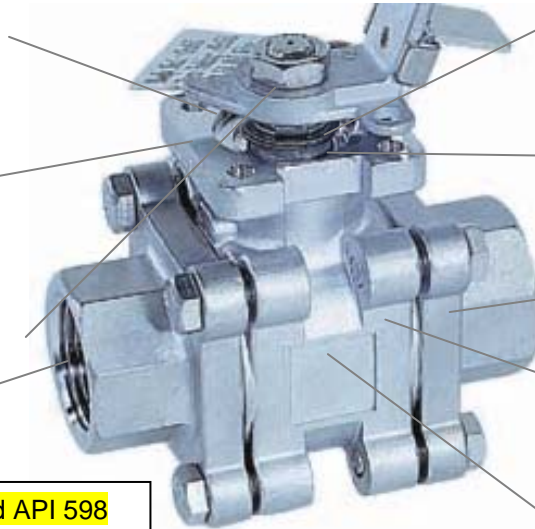
Keeps Lock nut from loosening in High Cycle Automated Applications

**ISO 5211 Mounting Pad** Allows direct mounting of actuation to valve, reducing hysteresis.

**Patented Sealmaster Stem Arrangement** for Extremely High Cycle Life

### Full Bore

- ANSI B 16.34, class 600, Tested API 598
- Blow-Out Proof Stem
- Double stem sealing to TA-LUFT Fugitive Emissions Requirements
- Fire Tested, Certified to API 607
- Anti-Static Design
- RPTFE, PTFE, Steam, Cavity Filled & High Temperature Seats



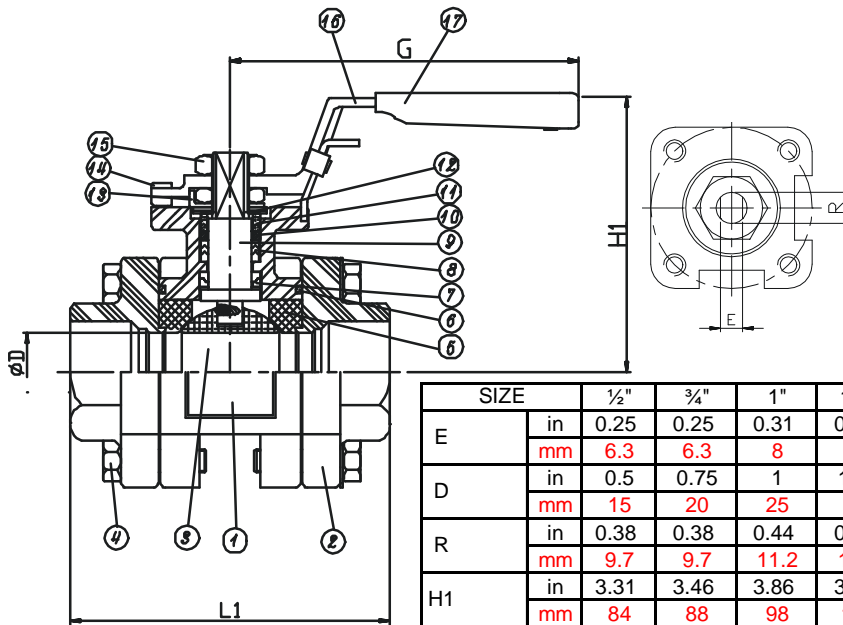
**Live Loaded Stem Packing** Keeps packing tight avoiding leaking valves and costly shutdowns or repairs.

**Graphoil Body Seals & Packing**

**Standard RTFE Seats For Bi-Directional Bubble Tight Shutoff**

**Investment Cast CF8M Body & End Caps. Designed to ANSI B16.34 Class 600**

**Polished Solid CF8M Stainless Steel Ball with Pressure Balance Hole in Ball Slot**



ITEM	PART	MATERIAL	QTY
1	BODY	CF8M/WCB	1
2	FIRE SAFE END CAP	CF8M/WCB	2
3	BALL	CF8M	1
4	BOLT	A193Gr.B8/A193Gr.B7	8-12
5	SEATS	RPTFE/PTFE/UHMWPE	2
6	BODY GASKET	GRAPHOIL	2
7-1	LOWER STEM SEAL	GRAPHOIL	1
7-2	COMPRESS RING	SS316	1
7-3	UPPER STEM SEAL	GRAPHOIL	1
8	STEM PACKING	GRAPHOIL	1
9	ANTI-STATIC STEM	SS316	1
10	THRUST WASHER	50% PTFE 50% SS	1
11	GLAND	SS304	1
12	BELLVILLE WASHER	SS301/WCB1075	2
13	LOCK WASHER	SS304	1
14	STOP BOLT	A193Gr.B8/A193Gr.B7	1
15	HANDLE NUT	SS304	2
16	HANDLE	SS304	1
17	PLASTIC COVER	PLASTIC	1

SIZE		1/2"	3/4"	1"	1 1/4"	1 1/2"	2"	2 1/2"	3"	
E	in	0.25	0.25	0.31	0.31	0.37	0.37	0.67	0.67	
	mm	6.3	6.3	8	8	9.5	9.5	17	17	
D	in	0.5	0.75	1	1.25	1.5	2	2.5	3	
	mm	15	20	25	32	40	50	65	80	
R	in	0.38	0.38	0.44	0.44	0.63	0.63	0.87	0.87	
	mm	9.7	9.7	11.2	11.2	16	16	22.2	22.2	
H1	in	3.31	3.46	3.86	3.98	4.61	4.61	6.50	6.85	
	mm	84	88	98	101	117	117	165	174	
L1	NPT,SW	in	2.82	3.80	4.29	4.61	5.08	5.59	6.85	7.60
	BW	mm	71.6	96.6	109	117	129	142	174	193
G	in	5.31	5.31	6.50	6.50	7.87	7.87	15.75	15.75	
	mm	135	135	165	165	200	200	400	400	
ISO 5211		F04	F04	F05	F05	F07	F07	F10	F10	

PMP Precision Valve Company Ltd. Is a progressive supplier of current products. The features, materials of construction and dimensional data as detailed in this bulletin are intended for your reference only, and should not be relied upon unless confirmed in writing by PMP Precision Valve Co. Ltd.. Certified dimensional drawings are available upon order receipt.