



# API 594 Wafer Steel Check Valve

**2025A**  
ANSI CLASS 150  
2" - 24"

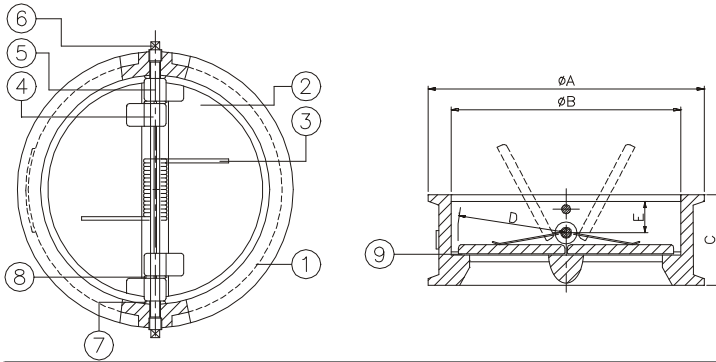
**Compact Wafer  
Stainless Steel Body**

**API 594 Face x Face  
Dimension**

- Vertical & horizontal flows\*
  - Standard VITON Resilient seats
  - Temperature -4°F to 392°F
- Options:**  
NBR, Metal Seats



**Double Disc Design  
Spring Loaded**



ITEM	PARTS	MATERIAL
1	BODY	ASTM A351-CF8M
2	DISC	ASTM A351-CF8M
3	SPRING	AISI 316
4	HINGE PIN	AISI 316
5	STOP PIN	AISI 316
6	PLUG	AISI 316
7	BEARING	TEFLON
8	BEARING	TEFLON
9	SEAT	VITON

SIZE		2"	2-1/2"	3"	4"	5"	6"	8"	10"	12"	14"	16"	18"	20"	24"	
A	in	4.13	4.88	5.39	6.89	7.76	8.74	10.98	13.39	16.14	17.76	20.24	21.61	23.86	25.98	
	mm	105	124	137	175	197	222	279	340	410	451	514	549	606	660	
B	in	2.40	2.87	3.50	4.49	5.55	6.61	8.62	10.75	12.76	14.02	15.98	17.99	20.00	22.01	
	mm	61	73	89	114	141	168	219	273	324	356	406	457	508	559	
C	in	2.36	2.64	2.87	2.87	3.39	3.86	5.00	5.75	7.13	7.24	7.52	7.99	8.62	8.62	
	mm	60	67	73	73	86	98	127	146	181	184	191	203	219	219	
D	in	1.06	1.30	1.61	2.13	2.56	3.11	4.02	4.96	6.38	6.69	7.68	8.62	9.61	10.39	
	mm	27	33	41	54	65	79	102	126	162	170	195	219	244	264	
E	in	1.30	1.26	1.42	1.50	1.61	1.73	1.89	2.20	2.76	3.54	3.39	3.39	3.50	3.54	
	mm	33	32	36	38	41	44	48	56	70	90	86	86	89	90	
Weight	lb.	6.60	8.80	13.20	17.60	22.00	35.20	70.40	103.40	184.80	213.40	349.80	407.00	534.60	552.20	
	kg.	3	4	6	8	10	16	32	47	84	97	159	185	243	251	
Studs	Qty	4	4	4	8	8	8	8	12	12	12	16	16	20	20	
	Dia	in	0.63	0.63	0.63	0.63	0.75	0.75	0.75	0.88	0.88	1.00	1.00	1.13	1.13	1.25
		mm	16	16	16	16	19	19	19	22	22	25	25	28	28	32
	Length	in	6.00	7.00	7.00	7.00	8.25	8.25	9.75	11.00	12.25	13.25	14.50	15.25	15.50	16.75
mm		152	178	178	178	210	210	248	279	311	337	368	387	394	425	
CV		60	100	170	340	520	850	1600	2400	3800	4400	5800	7500	9800	15000	

PMP Precision Valve Company Ltd. Is a progressive supplier of current products. The features, materials of construction and dimensional data as detailed in this bulletin are intended for your reference only, and should not be relied upon unless confirmed in writing by PMP Precision Valve Co. Ltd.. Certified dimensional drawings are available upon order receipt.

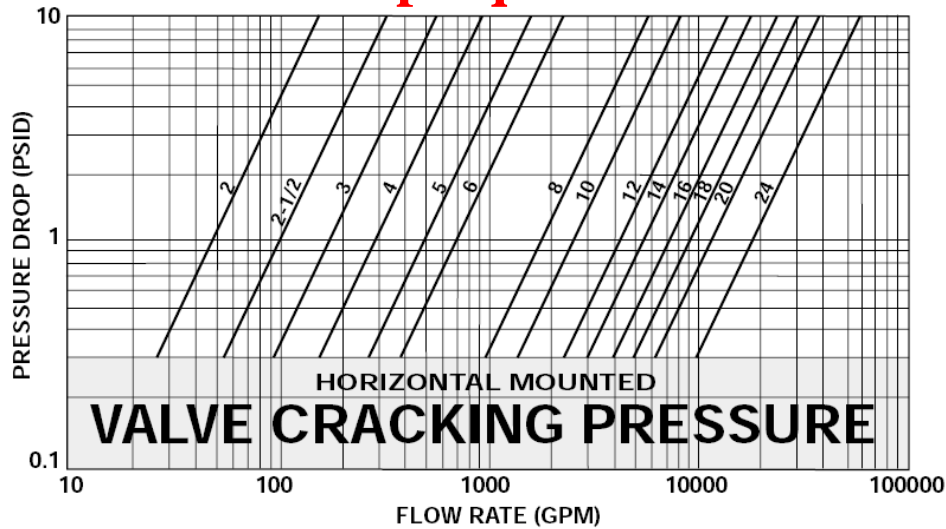


# API 594 Wafer Steel Check Valve

**2025A**  
ANSI CLASS 150  
2" - 24"

## Pressure drop liquids

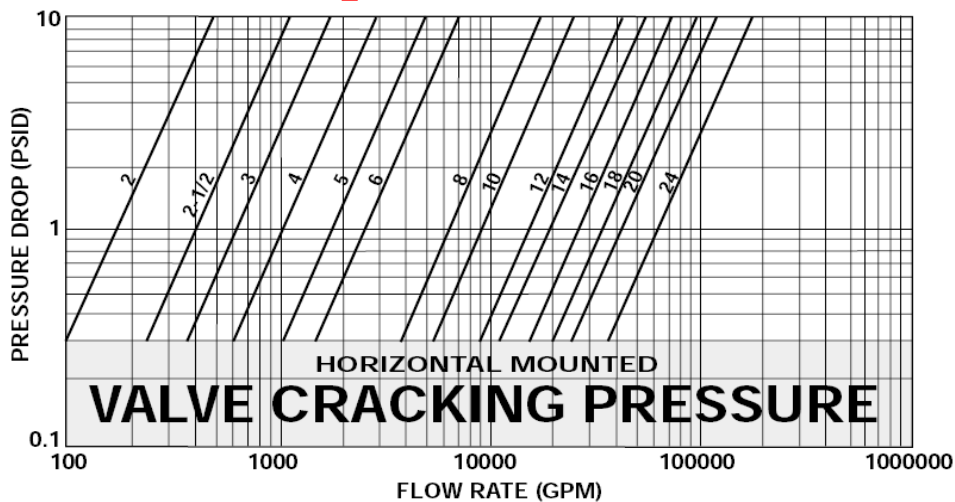
Sizes 2" - 24"



Valve cracking pressure: 0.3 psid mounted horizontally. Between 0.75 and 1.25 psid mounted vertically with upwards flow.

## Pressure drop air

Sizes 2" - 24"



B16.34

Working Pressure By Class psig									
TEMP.		150lb				300lb			
		ASTM A216	ASTM A351	ASTM A351	ASTM A351	ASTM A216	ASTM A351	ASTM A351	ASTM A351
°F	°C	WCB	CF8	CF8M	CF3M	WCB	CF8	CF8M	CF3M
-20 -100	-29 - 38	285	275	275	230	740	720	720	600
200	93	260	230	235	195	675	600	620	505
300	149	230	205	215	175	655	540	560	455
400	204	200	190	195	160	635	495	515	415

PMP Precision Valve Company Ltd. Is a progressive supplier of current products. The features, materials of construction and dimensional data as detailed in this bulletin are intended for your reference only, and should not be relied upon unless confirmed in writing by PMP Precision Valve Co. Ltd.. Certified dimensional drawings are available upon order receipt.