



2 Piece Ball Valve Full Port

A201

1/4"-2" 1000 WOG
2-1/2"-3" 800 WOG

Adjustable PTFE Packing

Investment Cast CF8M Body

PTFE Body Seal

Full Bore Design

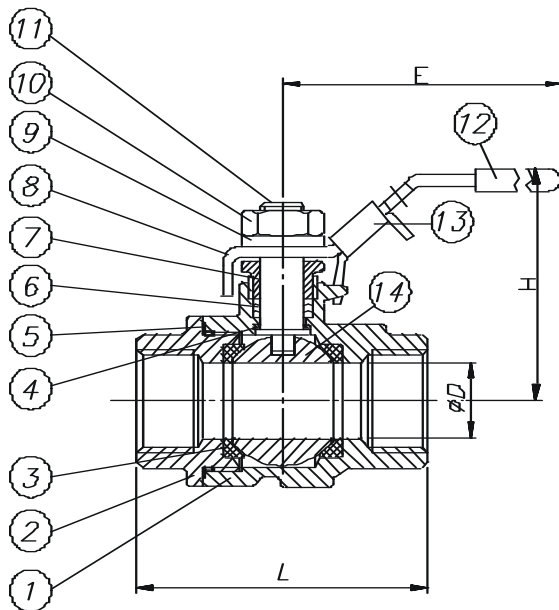


Stainless Steel Latch Lock Handle

Blow-out Proof Stem

Solid 316 Stainless Steel Ball

Bi-Directional RPTFE Seats



NO	PART NAME	QTY	SPECIFICATION	
1	BODY	1	WCB	CF8M
2	END CAP	1	WCB	CF8M
3	SEATS	2	RPTFE	RPTFE
4	THRUST WASHER	1	PTFE	PTFE
5	BODY GASKET	1	PTFE	PTFE
6	STEM PACKING	3	PTFE	PTFE
7	PACKING GLAND	1	SS304	SS304
8	HANDLE	1	C.S.	SS304
9	HANDLE WASHER	1	C.S.	SS304
10	HANDLE NUT	1	C.S.	SS304
11	STEM	1	SS304	SS316
12	HANDLE SLEEVE	1	PLASTIC	PLASTIC
13	LOCKING DEVICE	1	C.S.	SS304
14	BALL	1	SS304	SS316

SIZE	1/4"	3/8"	1/2"	3/4"	1"	1-1/4"	1-1/2"	2"	2-1/2"	3"	
D	in	0.46	0.5	0.6	0.79	0.99	1.26	1.5	1.97	2.56	3.15
	mm	11.6	12.5	15	20	25	32	38	50	65	80
L	in	2.09	2.12	2.67	2.89	3.37	4.05	4.2	4.79	7.18	8.03
	mm	53.09	53.85	67.82	73.41	85.6	102.87	106.68	121.67	182.38	203.97
H	in	2.13	2.13	2.41	2.66	2.96	3.12	3.33	3.78	4.97	5.34
	mm	54	54	61	67.5	75	79	84.5	96	126	136
E	in	3.82	3.82	3.94	4.81	5.71	5.91	7.17	7.17	9.85	9.85
	mm	97	97	100	122	145	150	182	182	250	250

PMP Precision Valve Company Ltd. Is a progressive supplier of current products. The features, materials of construction and dimensional data as detailed in this bulletin are intended for your reference only, and should not be relied upon unless confirmed in writing by PMP Precision Valve Co. Ltd.. Certified dimensional drawings are available upon order receipt.