



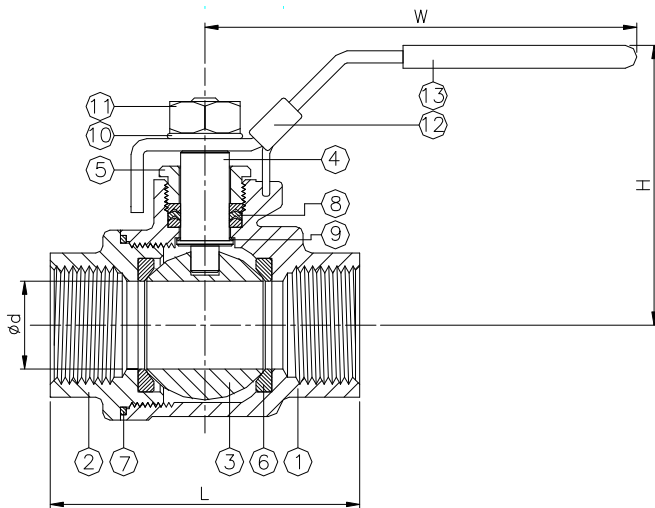
2 Piece Ball Valve Full Port

A202
2000 WOG
1/4" -3" NPT



Pressure Rating PSIG

- 1/4"~1" 2000
- 1-1/4"~2" 1500
- 2-1/2"~3" 1000. (M202)



| ITEM | PARTS | MATERIAL |
|------|---------------|----------------|
| 1 | BODY | ASTM A351-CF8M |
| 2 | CAP | ASTM A351-CF8M |
| 3 | BALL | ASTM A351-CF8M |
| 4 | STEM | ASTM A276-316 |
| 5 | GLAND NUT | AISI 304 |
| 6 | SEATS | RPTFE |
| 7 | BODY SEAL | PTFE |
| 8 | PACKING | PTFE |
| 9 | THRUST WASHER | PTFE |
| 10 | SPRING WASHER | AISI 304 |
| 11 | NUT | AISI 304 |
| 12 | HANDLE | AISI 304 |
| 13 | HANDLE SLEEVE | PVC |

| SIZE | | 1/4" | 3/8" | 1/2" | 3/4" | 1" | 1-1/4" | 1-1/2" | 2" | 2-1/2" | 3" |
|------|----|------|------|------|------|------|--------|--------|------|--------|-------|
| d | in | 0.46 | 0.5 | 0.5 | 0.75 | 1 | 1.25 | 1.5 | 2 | 2.5 | 3 |
| | mm | 10 | 12 | 15 | 20 | 25 | 32 | 40 | 50 | 65 | 80 |
| L | in | 2.36 | 2.36 | 2.56 | 3.07 | 3.54 | 3.94 | 4.72 | 5.43 | 7.28 | 8.07 |
| | mm | 53 | 53 | 58 | 69 | 80 | 89 | 106 | 122 | 185 | 205 |
| H | in | 1.97 | 1.97 | 1.97 | 2.36 | 2.76 | 3.15 | 3.54 | 3.54 | 5.59 | 6.14 |
| | mm | 44 | 44 | 44 | 53 | 62 | 71 | 80 | 80 | 142 | 156 |
| W | in | 3.94 | 3.94 | 3.94 | 4.92 | 6.3 | 6.3 | 7.48 | 7.48 | 10.24 | 10.24 |
| | mm | 89 | 89 | 89 | 111 | 142 | 142 | 169 | 169 | 260 | 260 |

PMP Precision valve Company Ltd. Is a progressive supplier of current products. The features, materials of construction and dimensional data as detailed in this bulletin are intended for your reference only, and should not be relied upon unless confirmed in writing by PMP Precision Valve Co. Ltd.. Certified dimensional drawings are available upon order receipt.