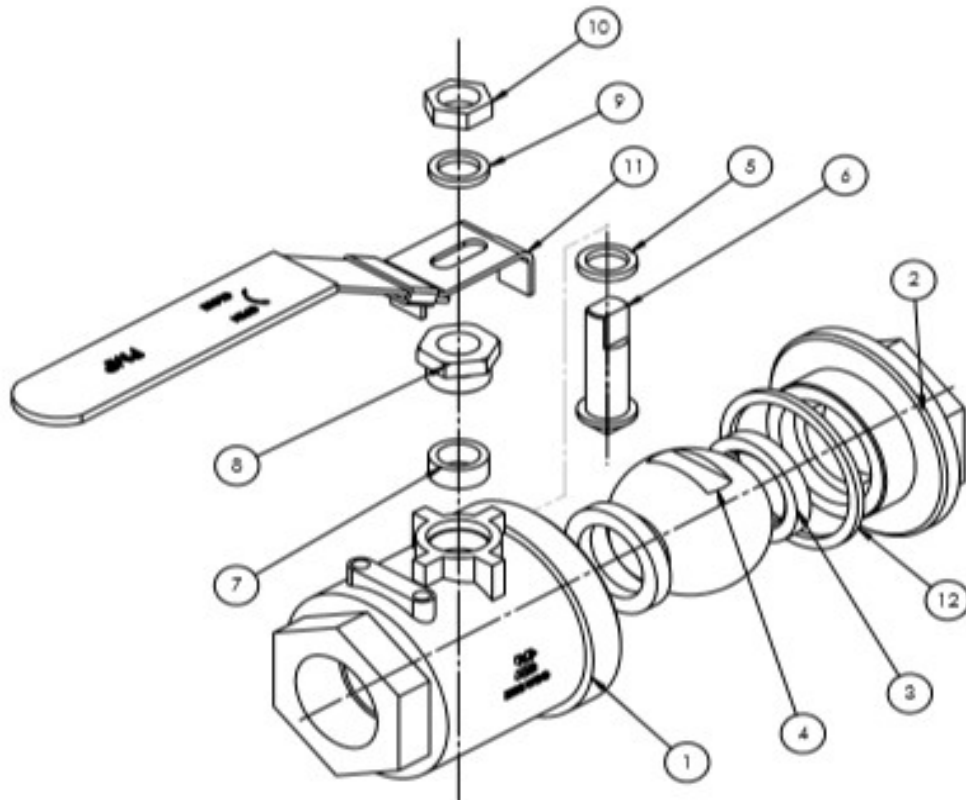




2 Piece Full Port Seal Weld Ball Valve

A202

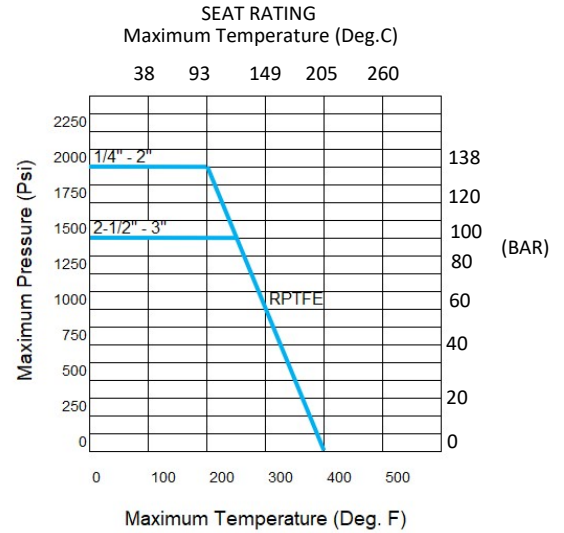
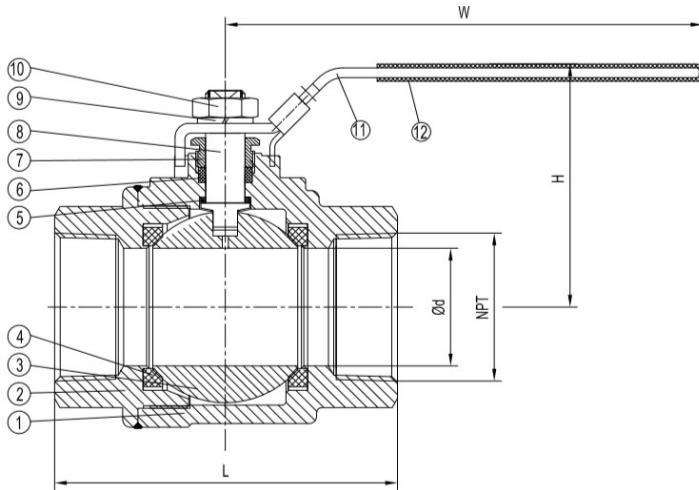
- Investment Cast Two Piece Body
- Full Port Design
- Floating Ball
- Anti-Static, Blow Out Proof Stem
- Self-Pressure Relieving Seats
- Adjustable Stem Packing
- Latch Lock Handle
- Wall Thickness to ASME B16.34
- Threaded Ends to ASME B1.20.1
- 2000 Psi - 138 Bar CWP (1/4" – 2")
- 1500 Psi - 103 Bar CWP (2-1/2" – 3")
- 1000 Psi - 68 Bar CWP (4")
- NACE MR0175
- CRN OC15272.5 Exp. 03-2026
- CE0036



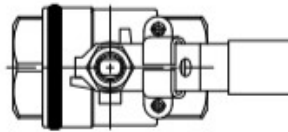


2 Piece Full Port Seal Weld Ball Valve

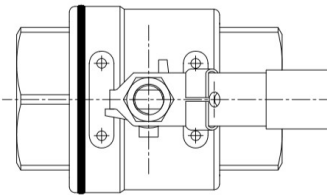
A202



1/4" - 1-1/2"



2" - 3"



1	BODY	ASTM A216 WCB
2	END CAP	ASTM A216 WCB
3	BALL	ASTM A182 F316
4	SEAT	RPTFE
5	THRUST WASHER	RPTFE
6	PACKING	GRAPHITE
7	GLAND BUSH	ASTM A276 SS304
8	STEM	ASTM A276 SS316
9	WASHER	STAINLESS STEEL
10	NUT	A2-70
11	HANDLE	SS304
12	END CAP GASKET	PTFE
No.	PART NAME	MATERIAL

DIMENSIONS:

UNITS: mm

SIZE	1/4"	3/8"	1/2"	3/4"	1"	1-1/4"	1-1/2"	2"	2-1/2"	3"
d	10.8	12.5	15	20	25	32	38	48	65	76
L	60	60	75	80	90	110	120	140	185	205
H	54	54	64	65	75	79	97	105	150	160
W	105	105	117	140	160	160	195	195	300	350

PMP Precision Valve Company Ltd. Is a progressive supplier of current products. The features, materials of construction and dimensional data as detailed in this bulletin are intended for your reference only, and should not be relied upon unless confirmed in writing by PMP Precision Valve Co. Ltd.. Certified dimensional drawings are available upon order receipt.