



# Sanitary Butterfly Valve Full Bore

**BFS**  
1" - 4"  
150 WOG

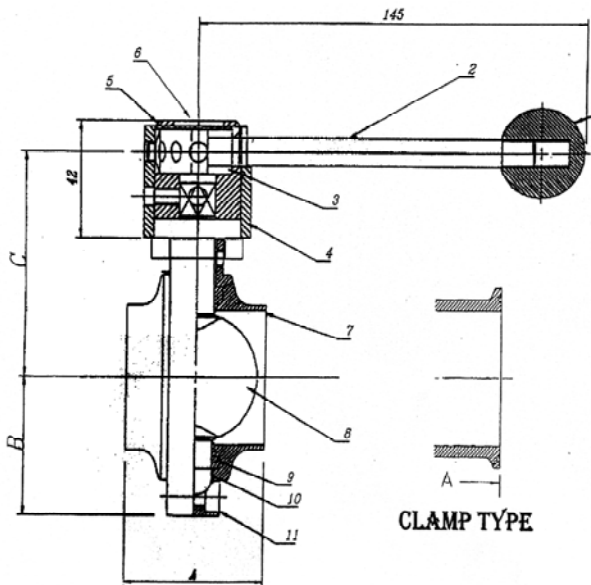


## FEATURES

- STAINLESS STEEL FOOD GRADE
- SANITARY SURFACE FINISH
- 150 PSI WORKING PRESSURE
- MAX. 150OC WORKING TEMPERATURE
- INVESTMENT CAST POLISHED DISC
- SILICONE STANDARD SEAT
- MULTI POSITION STAINLESS STEEL HANDLE
- TRI-CLAMP OR WELD ENDS

## OPTIONS:

- EPDM OR VITON SEAT
- AUTOMATION



NO.	PART	MATERIAL
1	KNOB	PHENOLIC
2	HANDLE	AISI 304
3	SPRING	AISI 304
4	COVER	AISI 304
5	HOLDER	AISI 304
6	CAP	PLASTIC
7	BODY	AISI 316
8	DISC	SS316
9	SEAT	SILICONE
10	BEARING	PTFE
11	BOLT	AISI 304

SIZE		1"	1.5"	2"	2.5"	3"	4"
A (WELD)	in	1.9	1.9	2.1	2.1	2.4	2.4
	mm	47.6	47.6	52.4	54	60	60
A (CLAMP)	in	3.5	3.5	3.7	3.8	4.1	4.1
	mm	89	89	95.2	96.8	103	103
B	in	1.5	1.7	1.9	2.3	2.5	3.0
	mm	39	43.5	49.5	58.5	63	75.5
C	in	2.8	2.9	3.2	3.5	3.7	4.2
	mm	70.3	74.8	80.8	89.9	94.3	106.3

PMP Precision Valve Company Ltd. Is a progressive supplier of current products. The features, materials of construction and dimensional data as detailed in this bulletin are intended for your reference only, and should not be relied upon unless confirmed in writing by PMP Precision Valve Co. Ltd.. Certified dimensional drawings are available upon order receipt.