



Needle Valve

2032

6000 psi
1/4" - 1" NPT

Threaded ends conform to:
ASME B1.20.1(NPT)

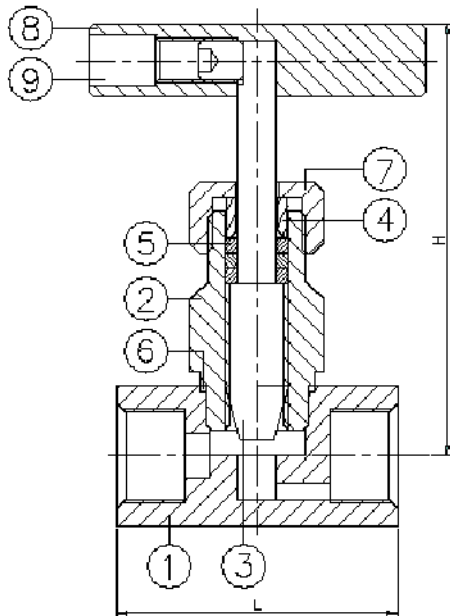
Forged AISI 316
Stainless Steel Body



Stainless Steel
handle

PTFE Adjustable
Packing

Metal Seats



| ITEM | PARTS | MATERIAL |
|------|------------|----------|
| 1 | BODY | AISI 316 |
| 2 | BONNET | AISI 316 |
| 3 | STEM | AISI 316 |
| 4 | GLAND RING | AISI 316 |
| 5 | PACKING | PTFE |
| 6 | GASKET | PTFE |
| 7 | GLAND NUT | AISI 316 |
| 8 | HANDLE | AISI 410 |
| 9 | LOCK BOLT | AISI 304 |

| SIZE | | 1/4" | 3/8" | 1/2" | 3/4" | 1" |
|--------|----|------|------|------|------|------|
| L | in | 2.28 | 2.28 | 2.56 | 2.76 | 3.15 |
| | mm | 58 | 58 | 65 | 70 | 80 |
| H | in | 2.95 | 2.95 | 3.43 | 3.54 | 4.06 |
| | mm | 75 | 75 | 87 | 90 | 103 |
| Weight | LB | 0.6 | 0.7 | 1.2 | 1.4 | 3.1 |
| | KG | 0.27 | 0.33 | 0.54 | 0.65 | 1.4 |
| Cv | | 0.5 | 0.5 | 1.8 | 2 | 3 |

PMP Precision Valve Company Ltd. Is a progressive supplier of current products. The features, materials of construction and dimensional data as detailed in this bulletin are intended for your reference only, and should not be relied upon unless confirmed in writing by PMP Precision Valve Co. Ltd.. Certified dimensional drawings are available upon order receipt.



Needle Valve

2032
6000 psi
1/4" - 1" NPT