



# 3 Piece Ball Valve Full Port

## M302

1/2"-2" 1500 WOG  
2-1/2" - 4" 800 WOG

**Locking Tab Washer**  
Keeps Lock nut from loosening in High Cycle Automated Applications

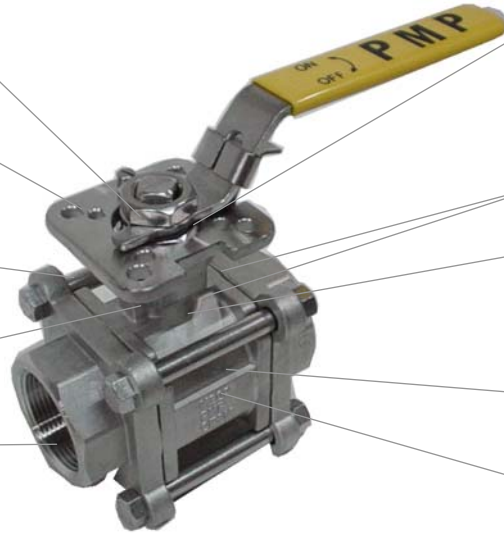
**ISO 5211 Mounting Pad**  
Allows Direct Actuator Mounting  
Eliminating Costly Brackets - Adapters

**Bi-Directional RPTFE Seats**

**PTFE Thrust Washer**

**Full Bore**

- Blow-Out Proof Stem
- Swing out Valve Body
- 1/2"-2" 1500 WOG,
- 2-1/2"-4" 800 WOG



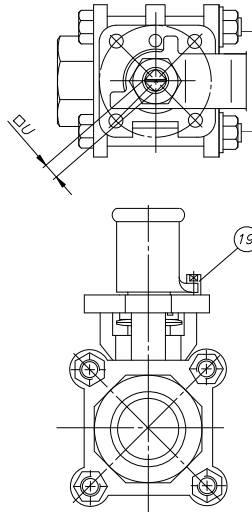
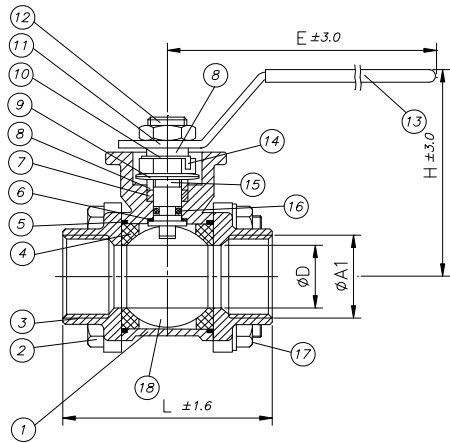
**Live Loaded Stem Packing** Keeps packing tight avoiding leaking valves and costly shutdowns or repairs.

**TFE Body Seals**

**TFE Stem Packing with Viton O-Ring**

**Investment Cast CF8M Body**

**Polished Solid Stainless Steel Ball**



NO	PART NAME	QTY	SPECIFICATION
1	BODY	1	ASTM A351 GR. CF8M
2	BOLT	4	SS304
3	CAP	2	ASTM A351 GR. CF8M
4	SEATS	2	PTFE
5	GASKET	1	PTFE
6	THRUST WASHER	2	PTFE
7	STEM PACKING	2	PTFE
8	GLAND	1	SS304
9	SPRING	2	SS301
10	NUT	1	SS304
11	HANDLE	1	SS304
12	NUT	1	SS304
13	COVER	1	PLASTIC
14	TAB WASHER	1	SS304
15	STEM	1	SS316
16	O-RING	1	VITON
17	NUT	4	SS304
18	BALL	1	SS316
19	STOP	1	SS304

SIZE	1/2"	3/4"	1"	1-1/4"	1-1/2"	2"	2-1/2"	3"	4"	
D	in	0.50	0.75	1.00	1.25	1.50	2.00	2.50	3.00	4.00
	mm	15	20	25	32	40	50	65	80	100
U	in	0.35	0.43	0.43	0.43	0.43	0.55	0.67	0.67	0.75
	mm	9	11	11	11	11	14	17	17	19
H	in	2.95	3.11	3.19	3.54	4.21	4.21	5.08	6.50	6.61
	mm	75	79	81	90	107	107	129	165	168
A1 NPT	in	0.50	0.75	1.00	1.25	1.50	2.00	2.50	3.00	4.00
	mm	13	19	25	32	38	51	64	76	102
L	in	2.95	3.15	3.54	4.33	4.72	5.51	7.28	8.07	9.45
	mm	75	80	90	110	120	140	185	205	240
E	in	4.49	5.24	5.24	7.36	7.36	8.74	12.40	12.40	12.40
	mm	114	133	133	187	187	222	315	315	315
ISO 5211	F03/F04	F04	F04	F04	F04	F05/F07	F05	F07	F07	F10

PMP Precision Valve Company Ltd. Is a progressive supplier of current products. The features, materials of construction and dimensional data as detailed in this bulletin are intended for your reference only, and should not be relied upon unless confirmed in writing by PMP Precision Valve Co. Ltd. Certified dimensional drawings are available upon order receipt.