



3 Piece Fire Tested High Performance Full Port

M306

1/4"-1" 2000 WOG
1-1/4"- 2" 1500 WOG
NPT-SW-BW

Locking Tab Washer

Keeps Lock nut from loosening in High Cycle Automated Applications

ISO 5211 Mounting Pad

Allows Direct Actuator Mounting
Eliminating Costly Brackets - Adapters

Secondary Viton Stem Seal

Added backup stem seal

Graphite Thrust Washer

- Swing Out Compact Design.
- Blow-Out Proof Stem
- Visual Leak Path Detection
- Fire Tested to API 607
- On-Off Steam Service to 150psi
- **Consult factory for Control Applications**

Live Loaded Stem Packing

Keeps packing tight avoiding leaking valves and costly shutdowns or repairs.

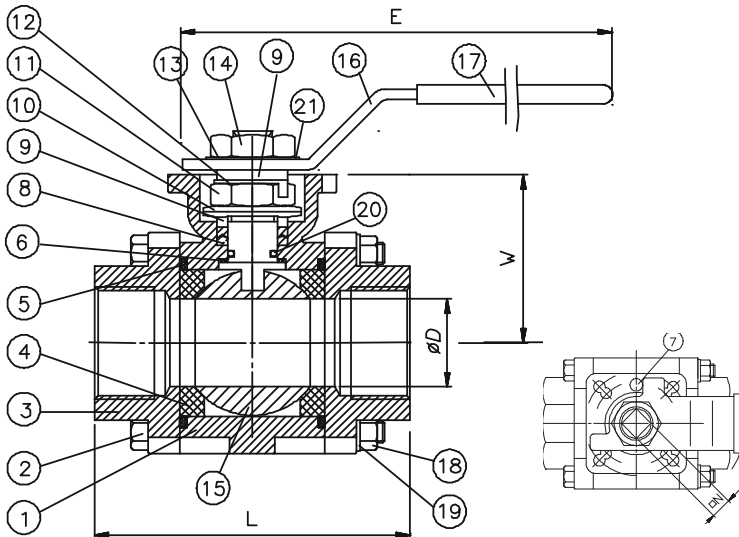
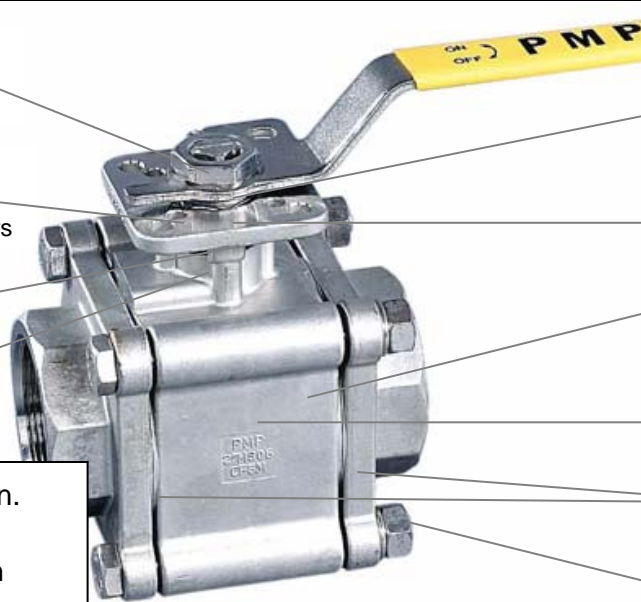
Graphite Body Seals & Packing

Investment Cast CF8M Body

Polished Solid Stainless Steel Ball

TFM-1600 Seats

Enclosed Body Bolts.



NO.	PART NAME	Q'TY	SPECIFICATION
1	BODY	1	ASTM A351 Gr. CF8M
2	BOLT	4	SS304
3	END CAP	2	CF8M
4	SEAT	2	TFM-4215
5	BODY GASKETS	2	Graphite
6	THRUST WASHER	1	MG1241
7	STOPPER	1	SS304
8	STEM PACKING	4	Graphite
9	GLAND	2	SS304
10	DISC SPRING	2	SS304
11	GLAND NUT	1	SS304
12	TAB WASHER	1	SS304
13	HANDLE NUT	1	SS304
14	STEM	1	SS316
15	BALL	1	SS316
16	HANDLE	1	SS304
17	COVER	1	PLASTIC
18	NUT	4	SS304
19	WASHER	4	SS304
20	O-RING	1	VITON
21	HANDLE WASHER	1	SS304

SIZE	1/4"	3/8"	1/2"	3/4"	1"	1-1/4"	1-1/2"	2"	
D	INCH	0.46	0.50	0.50	0.75	1.00	1.25	1.50	2.00
	MM	10	12	15	20	25	32	40	50
L	INCH	2.36	2.36	2.95	3.15	3.54	4.33	4.72	5.51
	MM	60	60	75	80	90	110	120	140
E	INCH	4.49	4.49	4.49	4.49	7.36	7.36	8.74	8.74
	MM	114	114	114	114	187	187	222	222
N	INCH	0.35	0.35	0.35	0.35	0.43	0.43	0.55	0.55
	MM	9	9	9	9	11	11	14	14
W	INCH	1.38	1.38	1.59	1.97	2.20	2.36	3.03	3.31
	MM	35.1	35.1	40.5	50	56	60	77	84
ISO	5211	F03	F03	F03, F04	F03, F04	F04, F05	F04, F05	F05, F07	F05, F07

PMP Precision Valve Company Ltd. Is a progressive supplier of current products. The features, materials of construction and dimensional data as detailed in this bulletin are intended for your reference only, and should not be relied upon unless confirmed in writing by PMP Precision Valve Co. Ltd.. Certified dimensional drawings are available upon order receipt.