



Instrumentation Ball Valve Compression Ends

M380I

Class 900

1/4" - 3/4"

Locking Tab Washer

Keeps Lock nut from loosening in High Cycle Automated Applications

ISO 5211 Mounting Pad

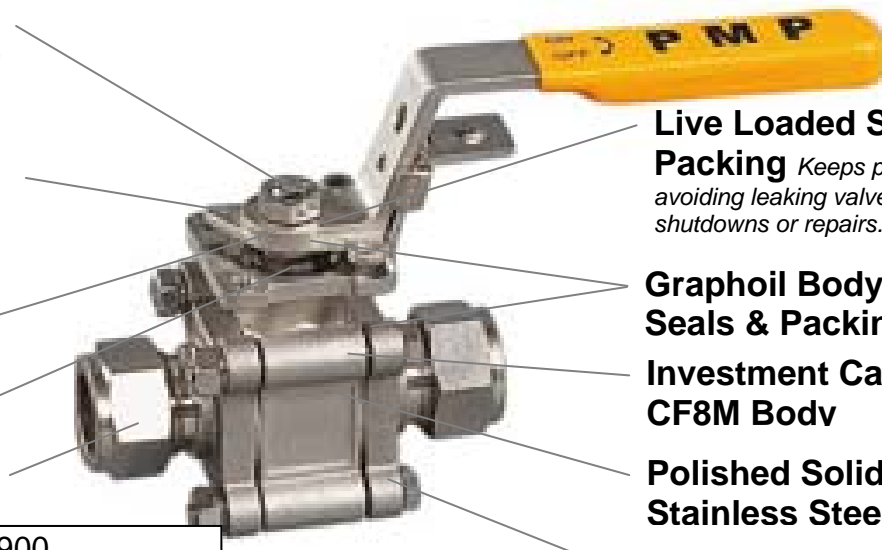
Allows direct mounting of actuators, eliminating costly brackets & adapters

PTFE Self-Adjusting Stem Seals

PTFE Thrust Washer

Compression Ends

- ANSI B16.34 class 900 construction
RPTFE (1440psi) DELRIN (2160psi)
- Quick Assembly & Disassembly
- Blow out proof, anti-static stem



Live Loaded Stem Packing

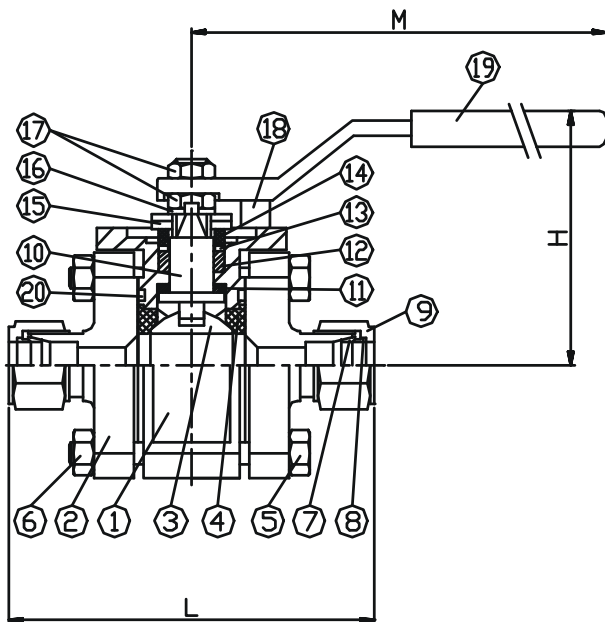
Keeps packing tight avoiding leaking valves and costly shutdowns or repairs.

Graphoil Body Seals & Packing

Investment Cast CF8M Body

Polished Solid Stainless Steel Ball

Enclosed Body Bolts.



ITEM	PART	QTY	MATERIAL
1	Body	1	CF8M
2	End Cap	2	CF8M
3	Ball	1	SS316
4	Seats	2	RPTFE or DELRIN
5	Body Bolt	4	A193 Gr. B 8
6	Body Bolt Nuts	4	A194 Gr. 8
7	Front Ferrule	2	SS316
8	Back Ferrule	2	SS316
9	Nut	2	SS316 Plated
10	Anti Static Stem	1	SS316
11	Stem Seal	1	PTFE
12	Stem Packing	1 set	PTFE
13	Bushing	1	PTFE
14	Gland	1	SS304
15	Belleville Washer	2	SS301
16	Lock Saddle	1	SS304
17	Stem Nut	2	SS304
18	Bolt Nut	1	A194 Gr. 8
19	Handle Sleeve	1	PVC
20	Joint Gasket	2	PTFE

SIZE		1/4"	3/8"	1/2"	3/4"
L	in	3.28	3.19	3.55	3.98
	mm	83.3	81	90.2	101
M	in	4.53	4.53	4.53	5.12
	mm	115	115	115	130
H	in	2.50	2.50	2.50	3.23
	mm	63.5	63.5	63.5	82
ISO 5211		F03	F03	F03	F04

PMP Precision Valve Company Ltd. Is a progressive supplier of current products. The features, materials of construction and dimensional data as detailed in this bulletin are intended for your reference only, and should not be relied upon unless confirmed in writing by PMP Precision Valve Co. Ltd.. Certified dimensional drawings are available upon order receipt.



Instrumentation Ball Valve Compression Ends

M380I

Class 900

1/4" - 3/4"