



3 Piece Full Port Ball Valve

M392

1000 WOG

1/4" - 3"

Locking Tab Washer

Keeps Lock nut from loosening in High Cycle Automated Applications

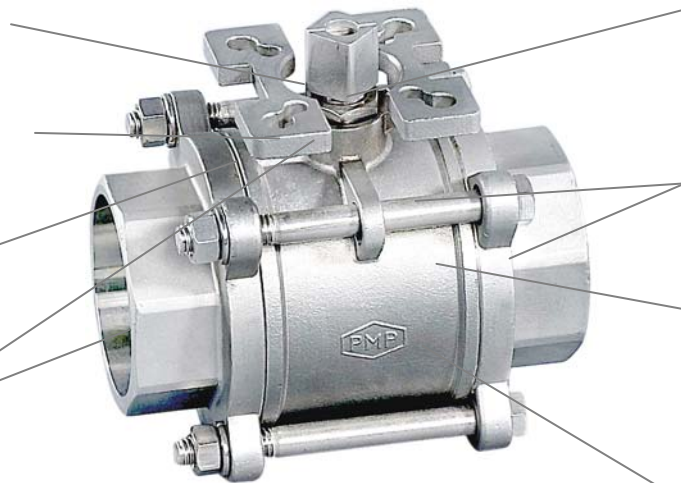
ISO 5211 Mounting Pad

Allows Direct Actuator Mounting
Eliminating Costly Brackets - Adapters

Bi-Directional RPTFE Seats

PTFE Thrust Washer

Full Bore



Live Loaded Stem Packing

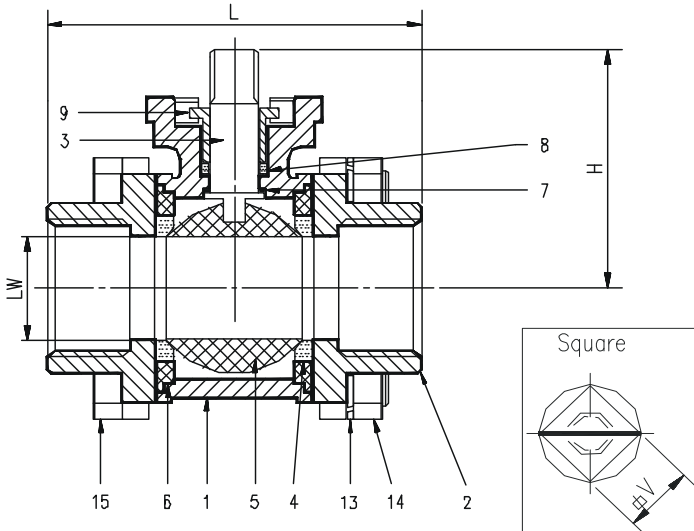
Keeps packing tight avoiding leaking valves and costly shutdowns or repairs.

TFE Body Seals & Packing

Investment Cast CF8M Body

Polished Solid Stainless Steel Ball

- Swing Out Compact Design.
- Blow-Out Proof Stem



NO	PART NAME	QTY	SPECIFICATION
1	BODY	1	SS316
2	CAP	2	SS316
3	STEM	1	SS316
3V	SQUARE ADAPTER	1	SS304
4	SEAT	2	PTFE+GF
5	BALL	1	SS316
6	GASKET	2	PTFE
7	WASHER	1	PTFE+GF
8	PACKING	2	PTFE
9	NUT	1	SS304
13	WASHER	4	SS304
14	NUT	4	SS304
15	BOLT	4	SS304

SIZE		1/4"	3/8"	1/2"	3/4"	1"	1-1/4"	1-1/2"	2"	2-1/2"	3"
LW	in	0.46	0.50	0.50	0.75	1.00	1.25	1.50	2.00	2.50	3.00
	mm	10	12	15	20	25	32	40	50	65	80
H	in	1.50	1.50	1.87	1.93	2.20	2.48	2.81	3.19	4.33	4.65
	mm	38	38	47.5	49	56	63	71.5	81	110	118
V	in	0.43	0.43	0.43	0.43	0.55	0.55	0.67	0.67	0.87	0.87
	mm	11	11	11	11	14	14	17	17	22	22
L	in	1.97	2.36	2.95	3.15	3.54	4.33	4.72	5.51	7.28	8.07
	mm	50	60	75	80	90	110	120	140	185	205
WEIGHT	lb	0.75	0.70	1.19	1.45	2.05	3.32	5.68	6.67	16.72	23.43
	kg	0.34	0.32	0.54	0.66	0.93	1.51	2.58	3.03	7.6	10.65
ISO 5211		F03	F03	F03/F04	F03/F04	F03/F04	F04/F05	F04/F05	F05/F07	F07/F10	F07/F10

PMP Precision Valve Company Ltd. Is a progressive supplier of current products. The features, materials of construction and dimensional data as detailed in this bulletin are intended for your reference only, and should not be relied upon unless confirmed in writing by PMP Precision Valve Co. Ltd.. Certified dimensional drawings are available upon order receipt.



3 Piece Full Port Ball Valve

M392

1000 WOG

1/4" - 3"