



Flanged Full Port Wafer Ball Valve

M72
ANSI 150
1/2" - 8"

Blow-out proof stem

ISO 5211 Mounting

Investment cast One Piece CF8M Body

Standard RPTFE Seats For Bi-Directional Bubble Tight Shutoff



Live Loaded Stem

Packing Keeps packing tight avoiding leaking valves and costly shutdowns or repairs.

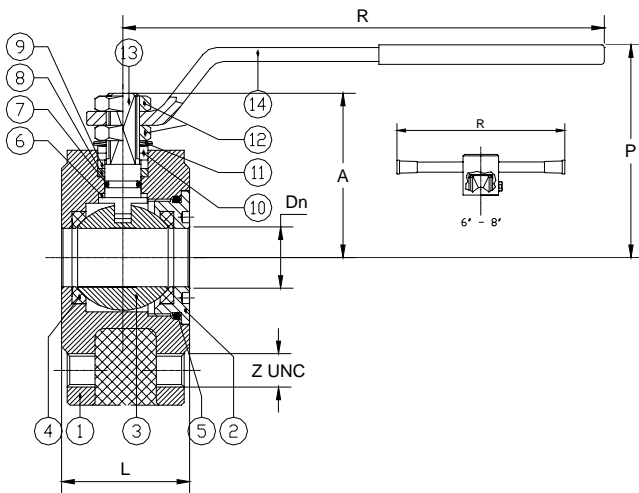
PTFE Stem Seals with Secondary Viton Stem Sealing

Flanged ends to ANSI B16.5

Full Bore Solid 316 Stainless Steel Ball

Optional: Fire Safe Design

- Compact Wafer Style Body
- Low Operating Torque



ITEM	PART NAME	SPECIFICATION
1	BODY	CF8M
2	END CONNECTION	CF8M
3	BALL	AISI 316
4	SEATS	RPTFE
5	SEAL RING	FKM
6	THRUST WASHER	PTFE
7	O-RING	FKM
8	STEM SEAL	PTFE
9	PACKING GLAND	AVP-9SMNPB36
10	END STOP	AISI 430 (DN 10 - DN 50) UNI 7070 (DN 65 - DN 200)
11	SPRING WASHER	UND 3545
12	NUT	UND 5771
13	STEM	AISI 316
14	HANDLE	UND 7070

SIZE		1/2"	3/4"	1"	1-1/4"	1-1/2"	2"	2-1/2"	3"	4"	5"	6"	8"
Dn	in	0.50	0.75	1.00	1.25	1.50	2.00	2.50	3.00	4.00	5.00	6.00	8.00
	mm	15	20	25	32	40	50	65	80	100	125	150	200
Z UNC		1/2"	1/2"	1/2"	1/2"	1/2"	5/8"	5/8"	5/8"	5/8"	3/4"	3/4"	3/4"
L	in	1.38	1.57	1.81	2.13	2.52	3.23	4.06	4.80	5.98	7.72	9.13	12.48
	mm	35	40	46	54	64	82	103	122	152	196	232	317
R	in	5.20	5.20	6.89	6.89	9.88	5.94	12.68	12.68	15.04	15.04	27.56	27.56
	mm	132	132	175	175	251	151	322	322	382	382	700	700
P	in	2.56	2.72	3.19	3.35	4.06	4.37	5.04	5.47	6.18	7.01	9.33	11.02
	mm	65	69	81	85	103	111	128	139	157	178	237	280
A	in	1.85	2.05	2.40	2.56	3.07	3.43	4.13	4.53	5.39	6.26	7.95	9.65
	mm	47	52	61	65	78	87	105	115	137	159	202	245
WEIGHT	lb	2.86	4.18	5.94	9.24	9.24	13.42	22.00	29.70	45.98	82.50	135.30	224.40
	kg	1.30	1.90	2.70	4.20	4.20	6.10	10.00	13.50	20.90	37.50	61.50	102.00

PMP Precision Valve Company Ltd. Is a progressive supplier of current products. The features, materials of construction and dimensional data as detailed in this bulletin are intended for your reference only, and should not be relied upon unless confirmed in writing by PMP Precision Valve Co. Ltd.. Certified dimensional drawings are available upon order receipt.