



**PMP PRECISION VALVE CO. LTD.**

[www.pmpvalve.com](http://www.pmpvalve.com)



# **PMP GV2 AWWA GATE Valve**

# GV2 Specifications

## Standards and Specifications:

- |   |   |
|---|---|
| 1. Design standard conforms to:           | ANSI/AWWA C509  |
| 2. Face to face conforms to:              | ASME B16.10   |
| 3. Pipe connection conforms to:           | ASME B16.1 CLASS125<br>ANSI/AWWA C111/A21.11<br>AWWA C606       |
| 4. Pressure testing standard conforms to: | ANSI/AWWA C509  |
| 5. Actuator:                              | 2 "AWWA operating nut or hand wheel, chain wheel, gearbox, etc. |

## Product Features:

### Stem top seal

The top sealing structure between stem and bonnet is triple O-rings design. Compared with conventional sealing packing structure, this unique design offers reliable sealing with lower abrasion.

### Fully rubber-coated wedge

Ductile cast iron wedges are fully encapsulated with high performance rubber by advanced vulcanization technique, tightly fitting with accurate geometry dimension, providing excellent sealing performance. This design can completely separate the metal wedge from fluid and provide corrosion protection. Rubber conforms to NSF standards.

### Flat bottom seat

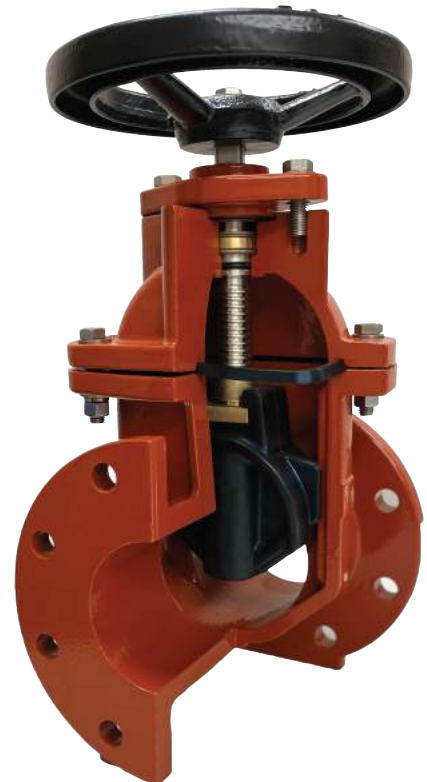
Through-way design equals to straight pipeline with high flow, low hydraulic resistance, and reliable sealing.

Compact construction design, low operation torque, long service life, and easy operation.

The valves are certified by NSF, suitable for drinking water.

Operating nut, gearbox or other actuators can be added according to customers' requests.

Besides the flanged connection, PMP also offers grooved or mechanical joint type.



# Standard Technical Specifications

## Product Size and Working Condition:

Working temperature: 0.6°C~52°C

Working pressure and size:

Flanged gate valve: 150psi 3"~48"; 250psi 3"~24"

Mechanical joint gate valve: 150psi 3"~48"; 250psi 3"~24"

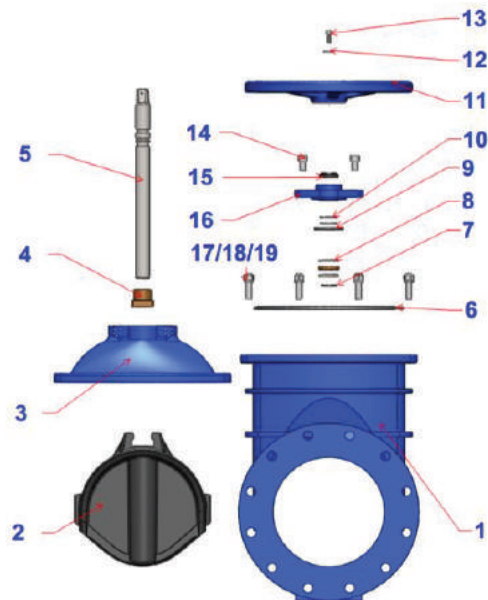
Grooved gate valve: 150psi 3"~12"; 250psi 3"~12"

## Product Application

Suitable for drainage, water treatment, diversion works, etc.

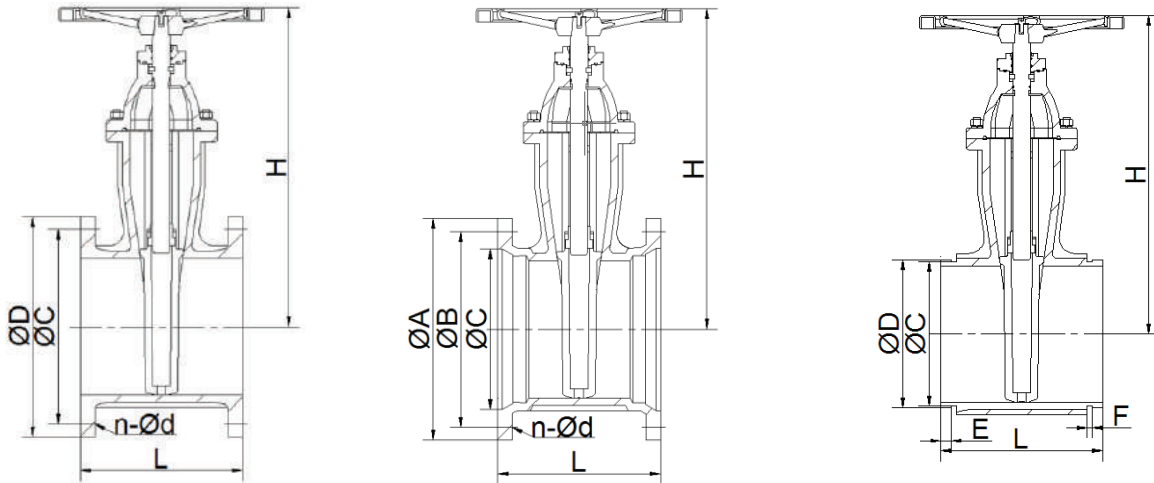


## GV2 Parts List



No.	Name	Materials	Optional Materials
1	Body	ASTM A536 65-45-12	ASTM A 126B
2	Disc	ASTM A536 65-45-12 coated EPDM	ASTM A536 65-45-12 coated NBR
3	Bonnet	ASTM A536 65-45-12	ASTM A 126B
4	Stem Nut	Copper Alloy	-
5	Stem	Stainless Steel	Copper Alloy
6	Sealing Ring	EPDM	NBR
7	O-ring	EPDM	NBR
8	Antifriction Ring	Nylon	SS304
9	O-ring	EPDM	NBR
10	O-ring	EPDM	NBR
11	Hand wheel	ASTM A536 65-45-12	ASTM A 126B
12	Washer	Carbon Steel	Stainless Steel
13	Bolt	Carbon Steel	Stainless Steel
14	Bolt	Carbon Steel	Stainless Steel
15	Anti-dust Gasket	EPDM	-
16	Gland Cover	ASTM A536 65-45-12	ASTM A 126B
17	Stud	Carbon Steel	Stainless Steel
18	Nut	Carbon Steel	Stainless Steel
19	Washer	Carbon Steel	Stainless Steel

# GV2 Dimensions



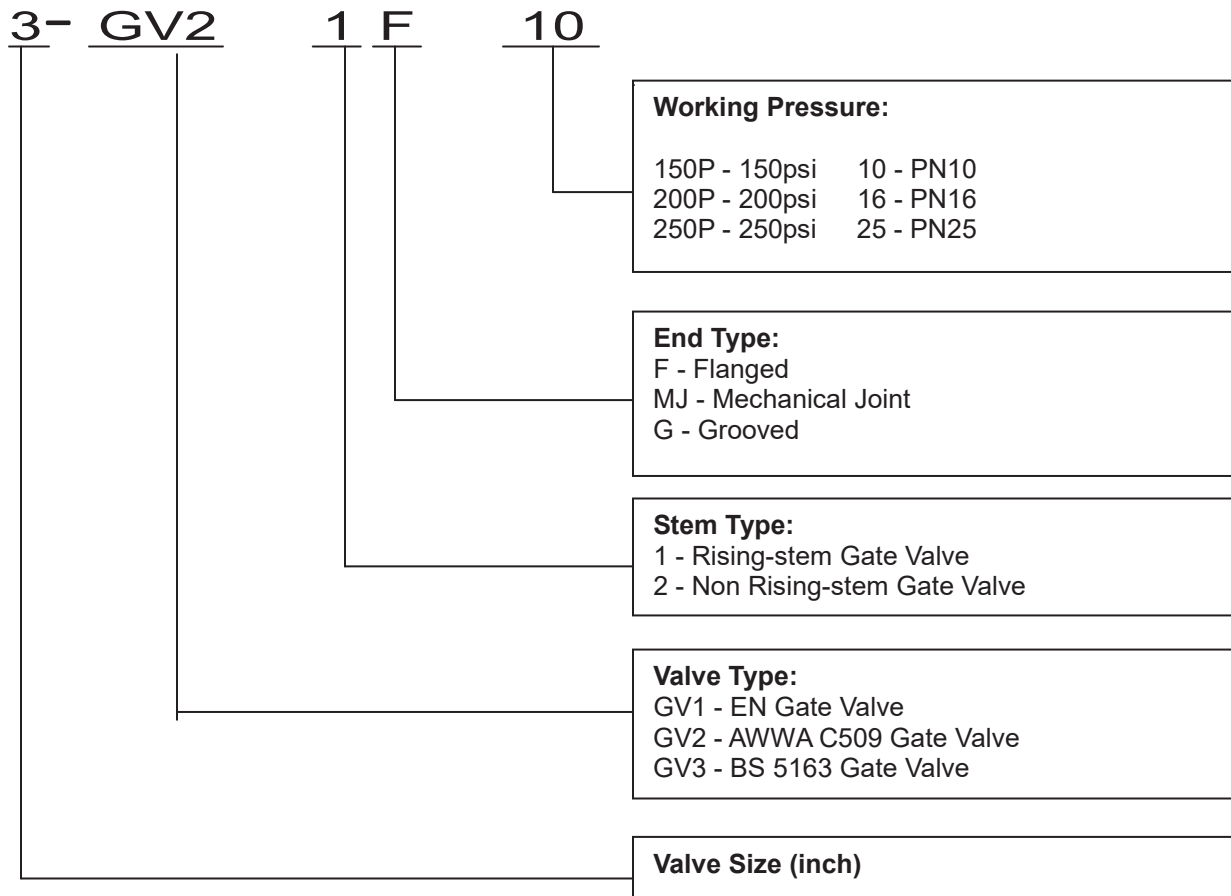
Size		GV22F			GV22MJ				GV22G				L	H
DN	Inch	ØD	ØC	n-Ød	ØA	ØB	ØC	n-Ød	ØC	ØD	E	F		
80	3	190	152	4-Ø19.05	195	157.2	125.5	4-Ø19.05	84.9	88.9	15.88	8.74	203	322
100	4	230	191	8-Ø19.05	232	190.5	152.9	4-Ø22.23	110	114.3	15.88	8.74	229	352
150	6	280	241	8-Ø22.23	282	241.3	206.2	6-Ø22.23	163.9	168.28	15.88	8.74	267	468
200	8	345	299	8-Ø22.23	340	298.5	260.9	6-Ø22.23	214.3	219.08	19.05	11.91	292	567
250	10	405	362	12-Ø25.4	397	355.6	313.4	8-Ø22.23	268.3	273.05	19.05	11.91	330	644
300	12	485	432	12-Ø25.4	455	412.8	366.8	8-Ø22.23	318.2	323.85	19.05	11.91	356	698
350	14	535	476	12-Ø28.58	515	476.3	420	10-Ø22.23	-	-	-	-	381	865
400	16	595	540	16-Ø28.58	572	533.4	473.5	12-Ø22.23	-	-	-	-	406	1020
450	18	635	578	16-Ø31.75	630	590.6	526.8	12-Ø22.23	-	-	-	-	432	1030
500	20	700	635	20-Ø31.75	686	647.7	580	14-Ø22.23	-	-	-	-	457	1200
600	24	815	749	20-Ø34.93	800	762	686.8	16-Ø22.23	-	-	-	-	508	1355
750	30	985	914	28-Ø34.93	995	936.8	850	20-Ø28.58	-	-	-	-	610	1745
900	36	1170	1086	32-Ø41.25	1168	1111.3	1010	24-Ø28.58	-	-	-	-	711	2130
1050	42	1345	1257	36-Ø41.28	1350	1285.8	1167	28-Ø34.93	-	-	-	-	813	2438
1200	48	1510	1422	44-Ø41.28	1524	1460.5	1327	32-Ø34.93	-	-	-	-	1118	2640

# GV2

## Weight and Operation Torque Values

Size		GV22F			GV22MJ			GV22G		
DN	Inch	Weight (kg)	Torque (N.M)		Weight (kg)	Torque (N.M)		Weight (kg)	Torque (N.M)	
			150psi	250psi		150psi	250psi		150psi	250psi
80	3	21	50	71	19	50	71	17	50	71
100	4	30	50	80	27.5	50	80	24	50	80
150	6	56	80	125	50	80	125	40	80	125
200	8	86	120	180	80	120	180	55	120	180
250	10	130	150	220	123	150	220	92	150	220
300	12	195	170	230	173	170	230	121	170	230
350	14	270	310	340	252	310	340	--	--	--
400	16	360	360	390	340	360	390	--	--	--
450	18	450	430	450	436	430	450	--	--	--
500	20	659	465	490	632	465	490	--	--	--
600	24	930	570	600	900	570	600	--	--	--
750	30	1925	2000	--	1895	2000	--	--	--	--
900	36	3080	2500	--	3030	2500	--	--	--	--
1050	42	5544	3000	--	5479	3000	--	--	--	--
1200	48	8316	4000	--	8168	4000	--	--	--	--

# How To Order





**PMP PRECISION VALVE CO. LTD.**

**www.pmpvalve.com**

**PMP Precision Valve Co. Ltd.  
3530 Poirier Boulevard  
Saint Laurent, QC, H4R 2J5**

**Tel. 514-331-0729  
Fax. 514-331-9849  
Email. info@pmpvalve.com**

**PMP Precision Valve Co. Ltd.  
Stealth Division  
375 University Avenue East  
Unit #205 C1  
Waterloo, ON, N2K 3M7**

**Tel. 905-845-4500  
Fax. 905-845-4505  
Email. info@pmpvalve.com**

**PMP Precision Valve Co. Ltd.  
#31-650 Hoylake Rd. West  
Qualicum Beach, BC, V9K 1P3**

**Tel. 250-713-5838  
Fax. 866-388-8658  
Email. info@pmpvalve.com**

**Distributor**



Pictures shown are general, unless specific job names are listed.  
Manufacturer reserves the right to depart from the catalogue specifications and illustrations.

**GV2-1219E**