



Position Transmitter

PTM-5

Specification

PTM-5L

Linear



PTM-5R

Rotary

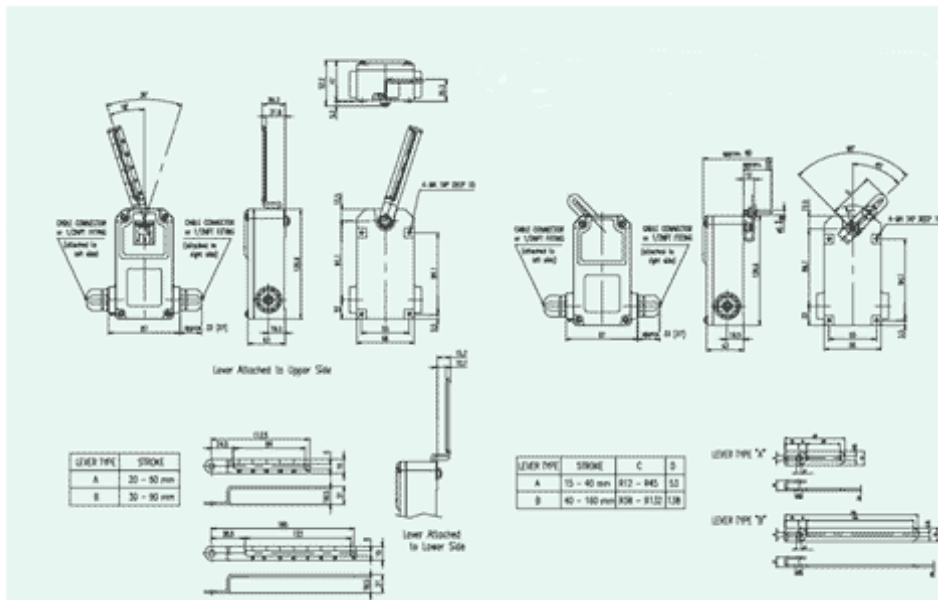


Type	PTM-5L	PTM-5R
Input Type		2 Wire
Input Signal	36°	90°
Output Signal		4 ~ 20ma
Load Resistance		0 ~ 600 Ohm
Supply Voltage		15 ~ 30V DC
Noise Range		50mVp.p
Conduit		1/2"NPT
Protection		IP67
Ambient Temp		-8 ~ + 70°C(17.6~158°F)
Linearity		±1% F.S.
Sensitivity		±0.2% F.S.
Hysteresis		0.2% F.S.
Weight		1.1kg (2.4 lb)
Material		Aluminum

Ordering Symbols : PTM-5

Model	Actuator motion	Lever type	
		Linear	Rotary
PTM-5	L Linear	1 60mm	1 40mm
	R Rotary	2 30 ~90mm	2 130mm

Dimensions



PMP Precision Valve Company Ltd. Is a progressive supplier of current products. The features, materials of construction and dimensional data as detailed in this bulletin are intended for your reference only, and should not be relied upon unless confirmed in writing by PMP Precision Valve Co. Ltd.. Certified dimensional drawings are available upon order receipt.