

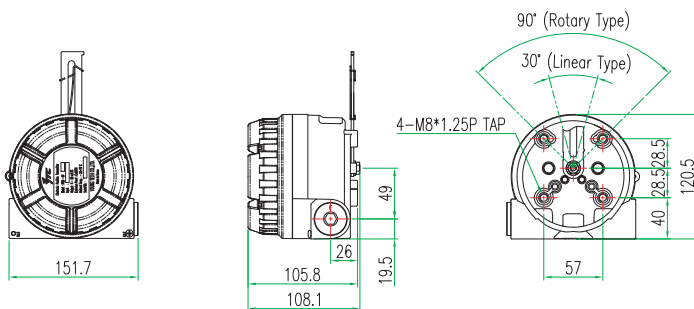
# Position Transmitter SPTM-6V

Product Number: SPTM-6V C   (specify your requirement)

Model	Motion Type	Explosion Proof	Lever Type		Option	
			Linear	Rotary		
SPTM-6V	<span style="background-color: yellow; border: 1px solid black; padding: 0 2px;">L</span> Linear	<span style="background-color: yellow; border: 1px solid black; padding: 0 2px;">C</span> Ex d IIC T6	<span style="background-color: lightblue; border: 1px solid black; padding: 0 2px;">1</span> 10~40mm	<span style="background-color: lightblue; border: 1px solid black; padding: 0 2px;">1</span> Standard	<span style="background-color: lightgrey; border: 1px solid black; padding: 0 2px;">0</span> NONE	
	<span style="background-color: yellow; border: 1px solid black; padding: 0 2px;">R</span> Rotary		<span style="background-color: lightblue; border: 1px solid black; padding: 0 2px;">2</span> 20~70mm	<span style="background-color: lightblue; border: 1px solid black; padding: 0 2px;">2</span> NAMUR	<span style="background-color: lightgrey; border: 1px solid black; padding: 0 2px;">L</span> +L/S(Only rotary type can be included)	
			<span style="background-color: lightblue; border: 1px solid black; padding: 0 2px;">3</span> 50~100mm			
			<span style="background-color: lightblue; border: 1px solid black; padding: 0 2px;">4</span> 100~150mm			



SPTM-6VL



Item · Type	SPTM-6VL	SPTM-6VR
ConnectionType	2 Wire	
Input Signal	0~30°	0~90°
Output Signal	4~20mA DC	
Load Resistance	Max.880Ω @ 30V DC	
Supply Voltage	9~30V DC	
PTM Noise Range	50mV p.p	
Conduit	PF3/4 (G3/4)	
Ambient Temp.	Operating	-30~85°C(-22~185°F)
	Explosion	-20~60°C(-4~140°F)
Linearity	±1% F.S.	
Hysteresis	±0.2% F.S.	
Sensitivity	±0.2% F.S.	
L/S Rating	AC 0.6A 125V~16A 250V	
	Switch Type	2x SPDT
Explosion Proof	Ex d IIC T6	
Enclosure	IP67	
Material	Aluminum Diecasting	
Weight	1.3kg(2.9lb)	

Flame type of Electronic Position Transmitter SPTM-6V senses mechanical position change of stem being on the valve or similar device and converses to current signal of DC4~20mA outputs.

- Convenient wiring: 2 wire type
- High accuracy and reliability
- Simple change for RA v.s. DA action setting
- Convenient adjustment of zero and span