



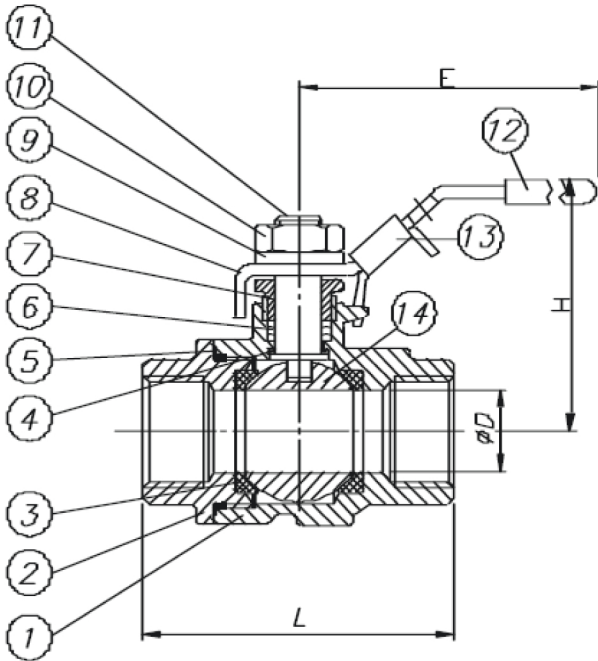
Q-105

2 Piece Forged Brass Full Port Solder End Ball Valve



NSF/ANSI 61

- Two Piece, Forged Brass Body, Full Port
- Blow-out Proof Stem
- Virgin PTFE Seats, Adjustable PTFE Packing
- NSF/ANSI 61-8
- CSA - ANSI Z2 1.15/CGA 9.1, ASME B16.44, CGA CR 91-002
- UL Guides YQNZ, YRBX, YRPV & YSDT
- FM Approved (1/4" - 2")



NO	DESCRIPTION	QTY	SPECIFICATION
1	Body	1	BRASS ASTM B124, UNC 37700
2	End Cap	1	BRASS ASTM B124, UNC 37700
3	Seats	2	PTFE
4	Thrust Washer	1	PTFE
5	Body Gasket	1	PTFE
6	Stem Packing	3	PTFE
7	Packing Gland	1	BRASS ASTM B124, UNC 37700
8	Handle	1	STEEL
9	Handle Washer	1	STEEL
10	Handle Nut	1	STEEL, ASTM A570 GR. A
11	Stem	1	BRASS ASTM B124, UNC 37700
12	Handle Sleeve	1	PLASTIC, YELLOW
13	Locking Device	1	OPTIONAL
14	Ball	1	BRASS ASTM B124, UNC 37700

Size		1/4"	3/8"	1/2"	3/4"	1"	1-1/4"	1-1/2"	2"	2-1/2"	3"	4"
D	in	0.31	0.39	0.59	0.75	0.94	1.26	1.57	1.97	2.52	2.95	3.94
	mm	8	10	15	19	24	32	40	50	64	75	100
L	in	1.77	1.89	2.05	2.76	3.23	3.82	4.41	5.31	6.30	7.17	9.25
	mm	45	48	52	70	82	97	112	135	160	182	235
H	in	1.73	1.73	1.85	2.01	2.44	2.87	3.19	3.46	4.76	5.08	5.87
	mm	44	44	47	51	62	73	81	88	121	129	149
E	in	3.54	3.54	3.54	3.78	4.53	4.53	5.51	5.51	8.66	8.66	9.61
	mm	90	90	90	96	115	115	140	140	220	220	244

PRESSURE RATING

600 PSI WOG, 1/4" - 2"
400 PSI WOG, 2 1/2" - 4"

**This valve is not recommended for steam service.

PMP Precision Valve Co. Ltd.

3464 Poirier boulevard
Saint Laurent, Qc, H4R 2J5

Email: info@pmpvalve.com

Tel: 514 331 0729

Fax: 514 331 9849