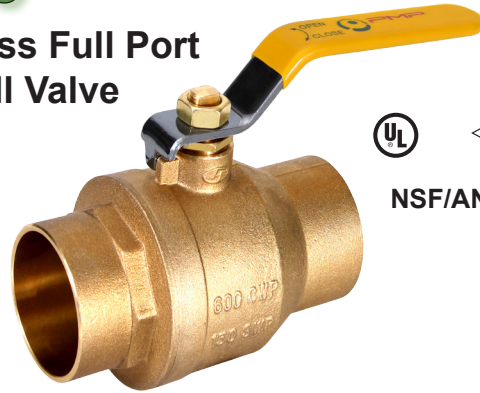




# Q-105

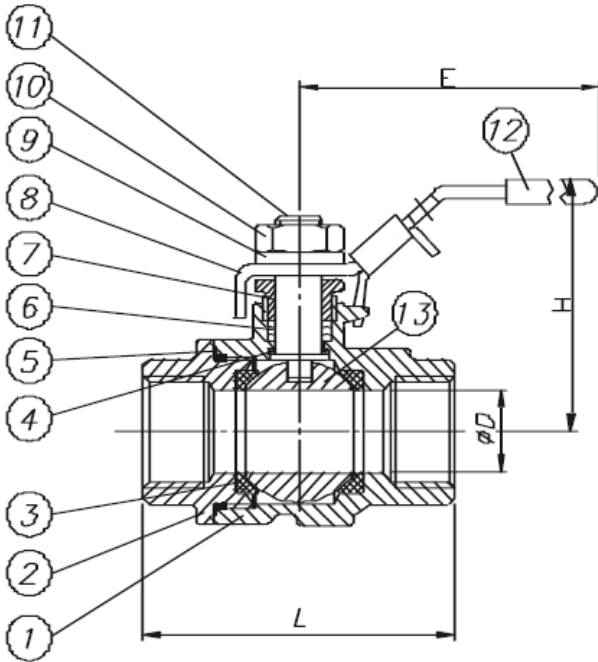
## 2 Piece Forged Brass Full Port Solder End Ball Valve



**NSF/ANSI 61**

- Two Piece, Forged Brass Body, Full Port
- Blow-out Proof Stem
- Virgin PTFE Seats, Adjustable PTFE Packing
- NSF/ANSI 61-8
- CSA - ANSI Z2 1.15/CGA 9.1, ASME B16.44, CGA CR 91-002
- UL Guides YQNZ, YRBX, YRPV & YSDT
- FM Approved (1/4" - 2")

| NO | DESCRIPTION   | QTY | SPECIFICATION              |
|----|---------------|-----|----------------------------|
| 1  | Body          | 1   | BRASS ASTM B124, UNC 37700 |
| 2  | End Cap       | 1   | BRASS ASTM B124, UNC 37700 |
| 3  | Seats         | 2   | PTFE                       |
| 4  | Thrust Washer | 1   | PTFE                       |
| 5  | Body Gasket   | 1   | PTFE                       |
| 6  | Stem Packing  | 3   | PTFE                       |
| 7  | Packing Gland | 1   | BRASS ASTM B124, UNC 37700 |
| 8  | Handle        | 1   | STEEL                      |
| 9  | Handle Washer | 1   | STEEL                      |
| 10 | Handle Nut    | 1   | STEEL, ASTM A570 GR. A     |
| 11 | Stem          | 1   | BRASS ASTM B124, UNC 37700 |
| 12 | Handle Sleeve | 1   | PLASTIC, YELLOW            |
| 13 | Ball          | 1   | BRASS ASTM B124, UNC 37700 |



| Size | 1/4" | 3/8" | 1/2" | 3/4" | 1"   | 1-1/4" | 1-1/2" | 2"   | 2-1/2" | 3"   | 4"   |      |
|------|------|------|------|------|------|--------|--------|------|--------|------|------|------|
| D    | in   | 0.31 | 0.39 | 0.59 | 0.75 | 0.94   | 1.26   | 1.57 | 1.97   | 2.52 | 2.95 | 3.94 |
|      | mm   | 8    | 10   | 15   | 19   | 24     | 32     | 40   | 50     | 64   | 75   | 100  |
| L    | in   | 1.77 | 1.89 | 2.05 | 2.76 | 3.23   | 3.82   | 4.41 | 5.31   | 6.30 | 7.17 | 9.25 |
|      | mm   | 45   | 48   | 52   | 70   | 82     | 97     | 112  | 135    | 160  | 182  | 235  |
| H    | in   | 1.73 | 1.73 | 1.85 | 2.01 | 2.44   | 2.87   | 3.19 | 3.46   | 4.76 | 5.08 | 5.87 |
|      | mm   | 44   | 44   | 47   | 51   | 62     | 73     | 81   | 88     | 121  | 129  | 149  |
| E    | in   | 3.54 | 3.54 | 3.54 | 3.78 | 4.53   | 4.53   | 5.51 | 5.51   | 8.66 | 8.66 | 9.61 |
|      | mm   | 90   | 90   | 90   | 96   | 115    | 115    | 140  | 140    | 220  | 220  | 244  |

### PRESSURE RATING

600 PSI wog, 1/4" - 2"

400 PSI wog, 2 1/2" - 4"

\*\*This valve is not recommended for steam service.

