



# Smart Positioner YT-2501

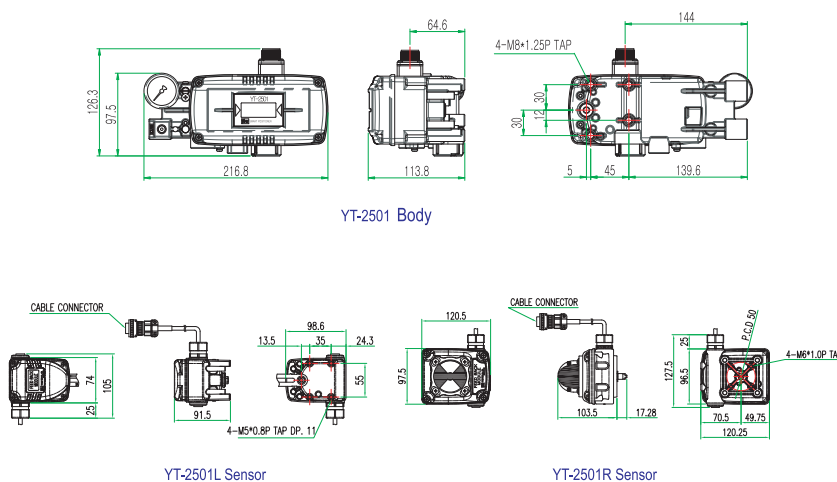
Product Number: YT-2501        (specify your requirement)

Model	Motion Type	Acting Type	Explosion Proof	Lever Type		Connection Type	Communication	Option	Fail Option
				Linear	Rotary				
YT-2501	<span style="border: 1px solid black; padding: 1px;">L</span> Linear	<span style="border: 1px solid black; padding: 1px;">S</span> Single	<span style="border: 1px solid black; padding: 1px;">n</span> Non-Explosion	<span style="border: 1px solid black; padding: 1px;">1</span> 10~40mm	<span style="border: 1px solid black; padding: 1px;">5</span> NAMUR	<span style="border: 1px solid black; padding: 1px;">1</span> PT	<span style="border: 1px solid black; padding: 1px;">0</span> NONE	<span style="border: 1px solid black; padding: 1px;">0</span> NONE	<span style="border: 1px solid black; padding: 1px;">F</span> Fail Freeze
	<span style="border: 1px solid black; padding: 1px;">R</span> Rotary	<span style="border: 1px solid black; padding: 1px;">D</span> Double	<span style="border: 1px solid black; padding: 1px;">i</span> Ex ia IIC T6/T5	<span style="border: 1px solid black; padding: 1px;">2</span> 20~70mm		<span style="border: 1px solid black; padding: 1px;">2</span> NPT	<span style="border: 1px solid black; padding: 1px;">2</span> + HART	<span style="border: 1px solid black; padding: 1px;">1</span> +PTM	<span style="border: 1px solid black; padding: 1px;">S</span> Fail Safe
				<span style="border: 1px solid black; padding: 1px;">3</span> 50~100mm				<span style="border: 1px solid black; padding: 1px;">3</span> + Foundation Fieldbus	
				<span style="border: 1px solid black; padding: 1px;">4</span> 100~150mm					

\* Maximum cable length is 20M.



Item · Type	YT-2501L	YT-2501R
Input Signal	4~20mA DC	
Supply Pressure	0.14~0.7MPa(1.4~7 bar)	
Stroke	10~150mm	0 ~ 90°
Impedance	Max.460Ω @ 20mA DC	
Air Connection	PT(NPT)1/4	
Gauge Connection	PT(NPT)1/8	
Conduit	PF1/2 (G1/2)	
Repeatability	±0.3% F.S.	
Ambient Temp.	Sensor Operating Temp.	-40°C ~ 120°C(-40~248°F)
	Body Operating Temp.	-30°C ~ 80°C(-22~176 ° F)
	Explosion Temp.	-40~40°C(T6) / -40~60°C(T5)
Linearity	±0.5% F.S.	
Hysteresis	±0.5% F.S.	
Sensitivity	±0.2% F.S.	
Air Consumption	0.01LPM (sup=0.14MPa)	
Flow Capacity	60 LPM(sup=0.14MPa)	
Output Characteristics	Linear, EQ%, Quick Open user set (16 Point)	
Material	Aluminum Diecasting	
Enclosure	IP66	
Explosion Proof type	Ex ia IIC T6 / T5	
Weight	Body	1.5kg (3.3lb)
	Sensor	0.6kg (1.3lb)      0.9kg (2.0lb)



YT-2501 Smart Positioner supplies remote functions and higher liabilities in **high temperature and vibration environment.**

- Separated feedback module
- Near zero air consumption level
- HART communication
- Auto calibration
- PD control
- 4 buttons for local control
- LCD display
- Feedback signal
- Fail freeze & safe function