

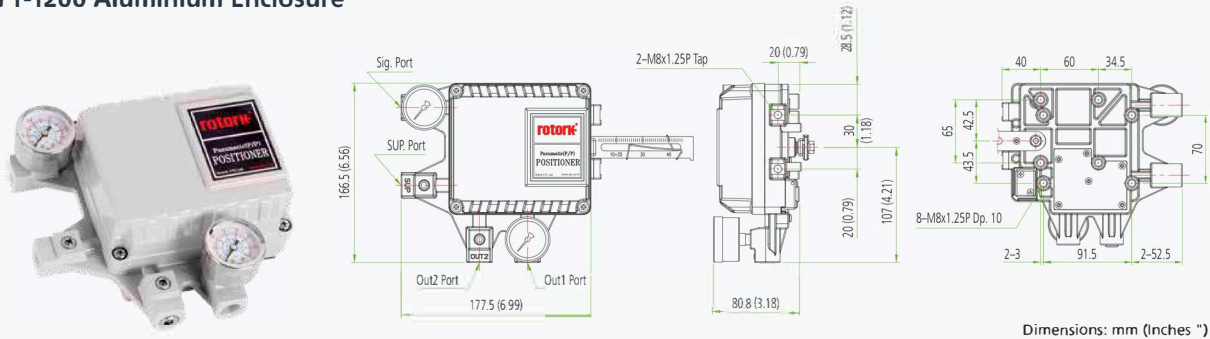
# Pneumatic-Pneumatic Positioner YT-1200

## Design features

- **Simple zero and span adjustment.** Internal hand dials and locking screws for 0.1 to 1 MPa range adjustments.
- **Reverse and direct acting settings.** Full and 1/2 split range setting by simple adjustment.
- **High vibration resistant.** No resonance between 5 to 200 Hz.
- **Auto / manual switch.** Internal adjustment with lock screw safety.



## YT-1200 Aluminium Enclosure



Item Type	YT-1200L & YT-1200R	
	Single	Double
Input Signal	0.02 to 0.1 MPa / 0.2 to 1 bar / 3 to 14.5 psi	
Supply Pressure	0.14 to 0.7 MPa / 1.4 to 7 bar / 20 to 102 psi	
Stroke	Linear Type	10 to 150 mm (0.4 to 6")
	Rotary Type	55 to 100°
Air Connection	Rc 1/4, 1/4 NPT	
Gauge Connection	Rc 1/8, 1/8 NPT	
Ingress Protection	IP66	
Linearity	Linear Type	± 1% F.S.
	Rotary Type	± 2% F.S.
Hysteresis	±1% F.S.	
Sensitivity	Linear Type	± 0.2% F.S.
	Rotary Type	± 0.5% F.S.
Repeatability	± 0.5% F.S.	
Air Consumption	2.5 LPM (sup = 0.14 MPa) 0.08 CFM (sup = 20 psi)	
Flow Capacity	80 LPM (sup = 0.14 MPa) 2.83 CFM (sup = 20 psi)	
Material	Aluminium Diecasting	
Weight	1.7 kg (3.1 lb)	

## Product Code

**YT-1200R - S - 1 - 1 - 2 - S - (0)**

### Model

YT-1200L = Linear Positioner  
YT-1200R = Rotary Positioner

### Acting Type

S = Single  
D = Double

### Lever Type

Linear	Rotary
1 = 10 to 40 mm	1 = M6 x 34L
2 = 30 to 70 mm	2 = M6 x 63L
3 = 60 to 100 mm	3 = M8 x 34L
4 = 100 to 150 mm	4 = M8 x 63L
	5 = NAMUR

### Orifice Type

1 =  $\Phi 1$   
2 =  $\Phi 2$   
3 = None

### Air Connection

1 = Rc 1/4  
2 = 1/4 NPT

### Operating Temp.

S = -20 to +70 °C (-4 to +158 °F)  
H = -20 to +120 °C (-4 to +248 °F)  
L = -40 to +70 °C (-40 to +158 °F)

### Option (Rotary only)

0 = None  
1 = Dome Cover  
2 = 4-20 mA feedback - SPTM-5V (Non-explosion)<sup>1</sup>  
3 = 4-20 mA feedback - SPTM-6V (Flameproof enclosure)<sup>1</sup>  
4 = Limit switch - YT-850 (Non-explosion)<sup>2</sup>  
5 = Limit switch - YT-870 (Flameproof enclosure)<sup>2</sup>  
6 = 4-20 mA feedback + Limit Switch - YT-870 (Flameproof enclosure)<sup>2</sup>

### Notes:

1. Only S, L of Operating Temperature is available
2. Only S of Operating Temperature is available