



Electro-Pneumatic Positioner

YT-1000 L/R

YT-1000L

Linear

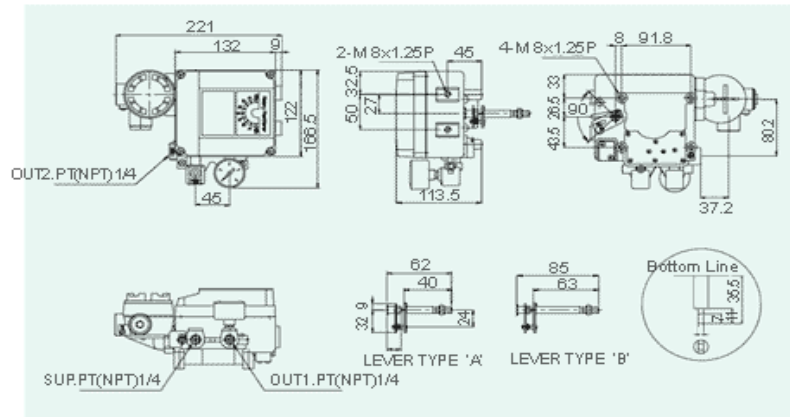


Specification

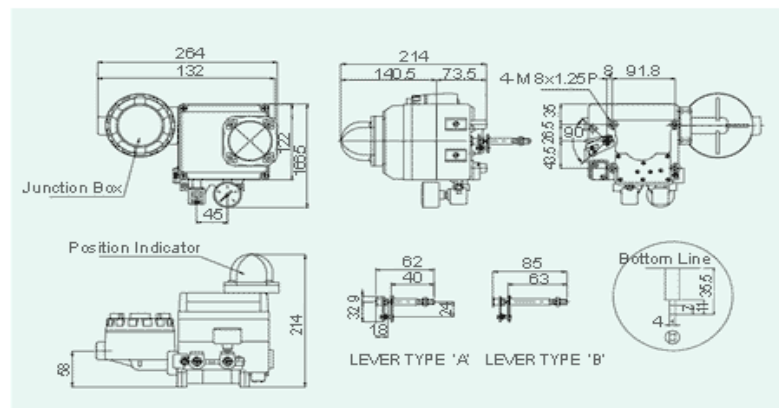
Type

Item	Single / Acting	Double / Acting
Input signal	4-20mA DC below 24V	
Impedance	250+/-15 Ohm	
Supply Pressure ^x	1.4~7kgf/cm ² (20~100 psi)	
Stroke	10-150mm	
Air Connection	1/4"NPT	
Gauge Connection	1/8"NPT	
Conduit	PF 1/2	
Explosion Proof Protection	ExdmlIB(C)T6, ExiallBT6	
Ambient Temp.	-20°C ~70 °C (~4~158°F)	
Linearity	+/-1% F.S.	+/-2% F.S.
Hysteresis		1% F.S.
Sensitivity	+/-0.2% F.S.	+/-0.5% F.S.
Repeatability		+/-0.5% F.S.
Air Consumption	3LPM(Sup.=1.4kgf/cm ² ,20psi)	
Flow Capacity	80LPM(Sup.=1.4kgf/cm ² ,20psi)	
Material	Aluminum Diecast	
Weight	2.7kg (6 lb)	

Dimensions-Standard Type



Dimensions-Included Position Transmitter & Limit Switch Type



PMP Precision Valve Company Ltd. Is a progressive supplier of current products. The features, materials of construction and dimensional data as detailed in this bulletin are intended for your reference only, and should not be relied upon unless confirmed in writing by PMP Precision Valve Co. Ltd.. Certified dimensional drawings are available upon order receipt.



Electro-Pneumatic Positioner

YT-1000
L/R

Standard + Position Transmitter



Type

Item	Single / Acting	Double / Acting
Input signal		4-20mA DC below 24V
Impedence	250+/-15 Ohm	
Supply Pressure		1.4~7kgf/cm ² (20~100 psi)
Stroke		0-90°
Air Connection		1/4"NPT
Gauge Connections		1/8"NPT
Conduit		PF 1/2
Explosion Proof Protection		ExdmlIB(C)T6, ExiallBT6
Ambient Temp.		IP66
Linearity	+/-1% F.S.	-20°C ~70 °C (~4~158°F) +/-2% F.S.
Hysteresis		1% F.S.
Sensitivity	+/-0.2% F.S.	+/-0.5% F.S.
Repeatability		+/-0.5% F.S.
Air Consumption		3LPM(Sup.=1.4kgf/cm ² ,20psi)
Flow Capacity		80LPM(Sup.=1.4kgf/cm ² ,20psi)
Material		Aluminum Diecast
Weight		2.8kg (6.2 lb)

Specification

Input type	3 Wire
Input Signal	90°
Output Signal	4 - 20 mA & On/Off Signal
Load Resistance	0 ~ 600 Ohm
Noise range	50mVp.p
Adjustment	Zero : +/-10% Span : 60~105%
Explosion Proof Protection	Non-Explosion Proof
Linearity	IP66
Sensitivity	+/-1%
Hysteresis	+/-0.2%
Supply voltage	0.2%
Switch type	15~30V DC&125V-250V AC
Weight	Mechanical Type 2 x SPDT
	4.2kg (9.3 lb)

Specification

Input type	3 Wire
Input Signal	90°
Output Signal	4 - 20 mA & On/Off Signal
Load Resistance	0 ~ 600 Ohm
Noise range	50mVp.p
Adjustment	Zero : +/-10% Span : 60~105%
Explosion Proof Protection	Non-Explosion Proof
Linearity	IP66
Sensitivity	+/-1%
Hysteresis	+/-0.2%
Supply voltage	0.2%
Switch type	15~30V DC&125V-250V AC
Weight	Mechanical Type 2 x SPDT
Rating	4.2kg (9.3 lb)
	0.6A 125V~16A 250V AC

Standard + Position Transmitter



Standard + Position Transmitter & Limit switch

