

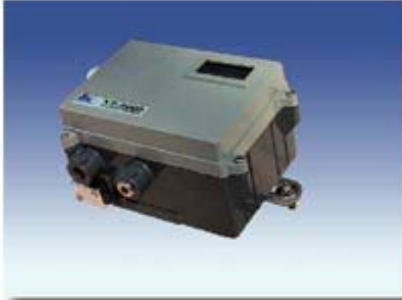


Intelligent Positioner

YT-2000 L/R

YT-2000R

Rotary



YT-2000L

Linear



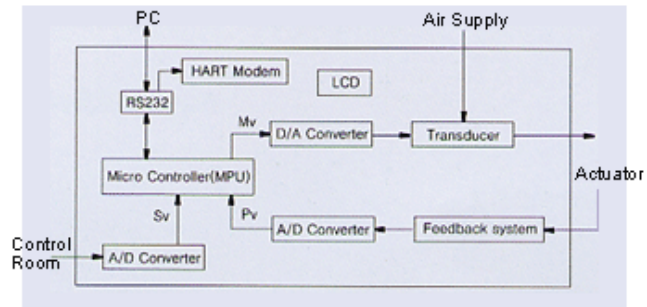
Specification

Type	YT-2000L Linear	YT-2000R Rotary
Item	Single / Double	Single / Double
Input signal	4~20mA DC (10~24V)	
Supply Pressure ^x	20~85 psi	
Stroke	10 ~150 mm	0 ~90o
Impedance	500 Ohm Max / 20mA DC	
Output Characteristics	Linear, =%, Quick Open	
Ambient Temp.	-40°C~+ 80 °C (-40~176°F)	
Linearity	+/-5% F.S.	
Sensitivity	+/-0.2% F.S.	
Hysteresis	0.5% F.S.	
Repeatability	+/-0.5% F.S.	
MPU	16bit Micro Controller	
Main Board	A/D Converter	12bit
D/A Converter	8 bit	
Storage Temp.	-30°C~+ 85 °C (-22~185°F)	
LCD	Operating Temp. -10°C~+ 80 °C (-14~176°F)	
Weight	1.9kg (4.19 lb)	
Material	Aluminum Diecast	

Micro Controller (MPU) Board



Block Diagram



Features:

YOUNG TECH's YT-2000 are the Intelligent Positioner integrating a high performance 16 bit microprocessor to control the stroke of a valve using a 4-20mA input from the controller. The valve stroke and positioner information is displayed on the LCD allowing for quick status verification of the valve and positioner.

An integral transmitter permits communication with the controllers.

PMP Precision Valve Company Ltd. Is a progressive supplier of current products. The features, materials of construction and dimensional data as detailed in this bulletin are intended for your reference only, and should not be relied upon unless confirmed in writing by PMP Precision Valve Co. Ltd.. Certified dimensional drawings are available upon order receipt.



Intelligent Positioner

YT-2000 L/R

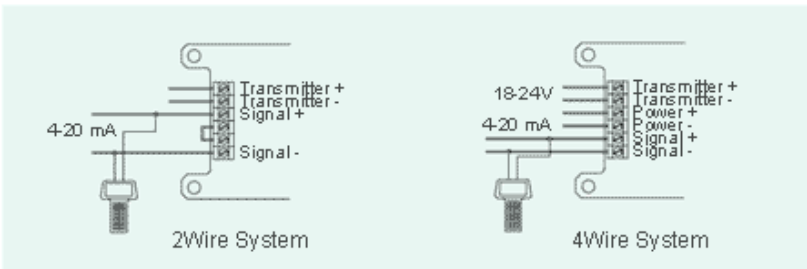
1. Simple Calibration: Zero and span are automatically set by the Positioner.
2. Display window : All necessary information is easily verified.
3. Available for varying applications: Multiple communications options for easy transmission to the control devices.

Ordering Symbols :YT-2000

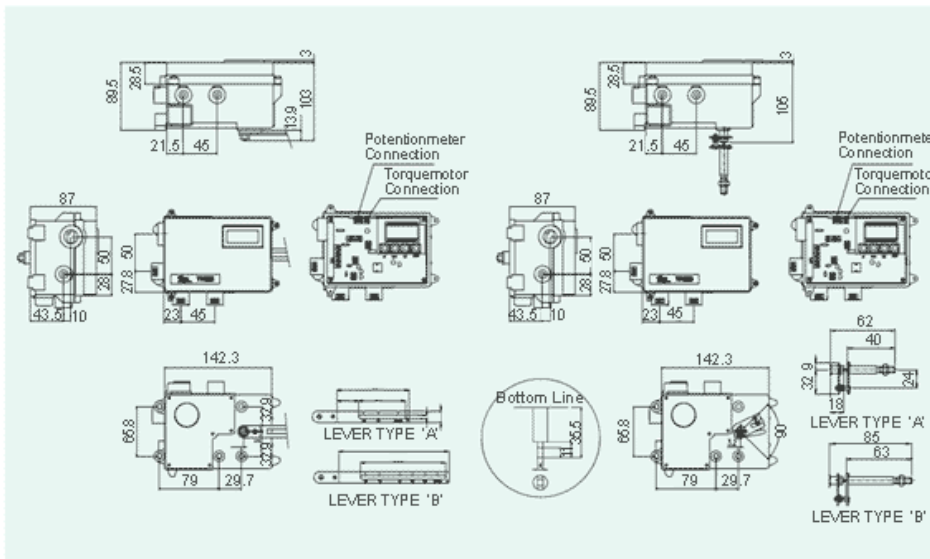
ex)YT-2000 L S m 1 1 0 0

Model	Actuator Motion	Acting type	Explosion Proof	Lever type	
				Linear	Rotary
YT-2000	L Linear Type R Rotary Type	S Single Acting D Double Acting	m ExidIBT6 i ExialIBT6 n Non-explosion	1 Below 40mm	1 M6 x 40L
				2 40 ~ 70mm	2 M6 x 63L
	3 70 ~ 100mm	3 M8 x 40L			
	4 100 ~ 130mm	4 M8 x 63L			
	5 130 ~ 150mm	5 NAMUR			
Communication		Option			
0 None (4~20mA)	0 None				
1 RS232C	1 Transmitter				
2 HART Protocol					
3 Foundation Field Bus					
4 Profibus					

Electrical Wiring



Dimensions



PMP Precision Valve Company Ltd. Is a progressive supplier of current products. The features, materials of construction and dimensional data as detailed in this bulletin are intended for your reference only, and should not be relied upon unless confirmed in writing by PMP Precision Valve Co. Ltd.. Certified dimensional drawings are available upon order receipt.