



Clean Ball Valve

2013KC

1000 WOG

1/2" - 4"

**Cavity Filled TFM
1600 PTFE Seats**

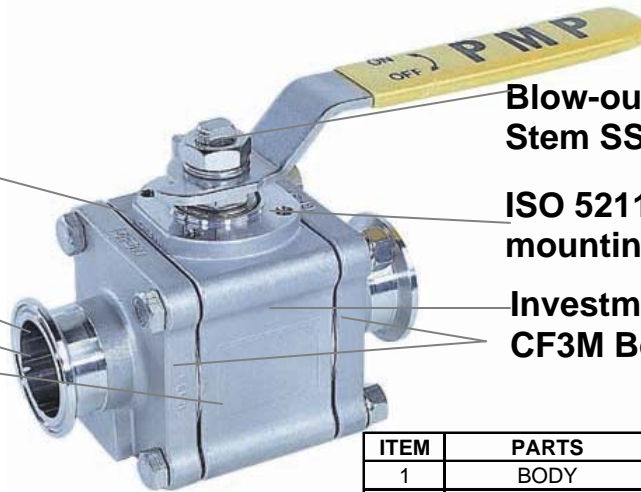
**Full Bore
T" Clamp End
Connections**

Ball SS 316L

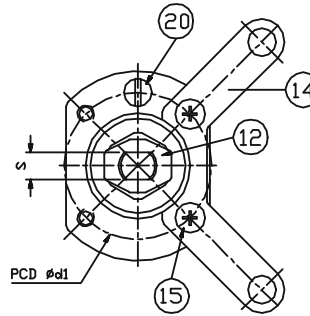
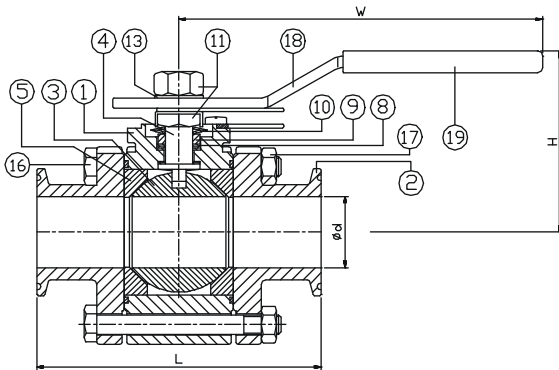
**Blow-out-proof
Stem SS 316L**

**ISO 5211
mounting pad**

**Investment Cast
CF3M Body**



- Interior finish 20 Ra (180g)
- Live Loaded Stem Packing



ITEM	PARTS	MATERIAL
1	BODY	ASTM A351-CF3M
2	CAP	ASTM A351-CF3M
3	BALL	ASTM A182F -316L
4	STEM	ASTM A182F -316L
5	SEATS	TFM -1600 PTFE
6	GASKET	PTFE
7	THRUST WASHER	PTFE
8	PACKING	PTFE
9	GLAND	AISI 304
10	DISC SPRING	50CrV4
11	STEM NUT	AISI 304
12	LOCK WASHER	AISI 304
13	WASHER	AISI 304
14	LOCK PAD	AISI 304
15	SCREW	AISI 304
16	BOLT	AISI 304
17	NUT	AISI 304
18	HANDLE	AISI 304
19	SLEEVE	PVC
20	STOP PIN	AISI 304

SIZE		1/2"	3/4"	1"	1-1/4"	1-1/2"	2"	2-1/2"	3"	4"
L	in	3.50	4.00	4.50	4.50	5.50	6.25	6.26	7.00	8.50
	mm	88.9	101.6	114.3	114.3	139.7	158.8	159.0	177.8	215.9
d	in	0.37	0.62	0.87	1.12	1.37	1.87	2.38	2.88	3.84
	mm	9.4	15.8	22.1	28.5	34.8	47.5	60.2	72.9	97.3
H	in	1.76	1.87	2.40	2.70	3.16	3.35	5.21	6.52	7.06
	mm	44.7	47.5	61.0	68.6	80.3	85.1	132.1	165.6	179.1
W	in	5.53	4.50	5.75	5.75	7.00	7.00	8.75	13.75	13.75
	mm	140.5	114.3	146.1	146.1	177.8	177.8	222.0	349.0	349.0
d1	in	1.42	1.42	1.65	1.65	1.97	1.97	4.02	4.02	4.02
	mm	36.1	36.1	41.9	41.9	50.0	50.0	102.0	102.0	102.0
S	in	0.22	0.22	0.30	0.30	0.35	0.35	0.56	0.76	0.76
	mm	5.6	5.6	7.6	7.6	8.9	8.9	14.0	19.1	19.1

PMP Precision Valve Company Ltd. Is a progressive supplier of current products. The features, materials of construction and dimensional data as detailed in this bulletin are intended for your reference only, and should not be relied upon unless confirmed in writing by PMP Precision Valve Co. Ltd.. Certified dimensional drawings are available upon order receipt.