

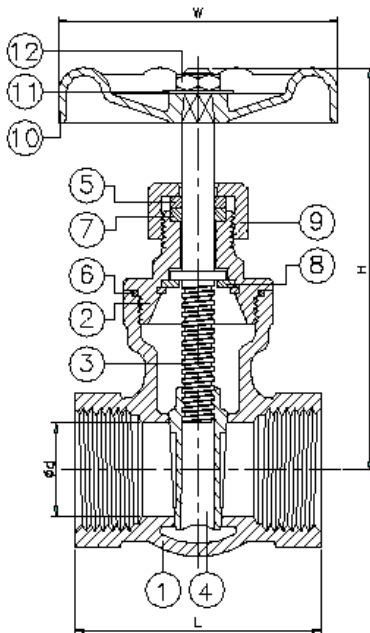
Non-Rising Stem

Screwed Bonnet

Threaded ends conform to
ASME B1.20.1 (NPT)

Metal X Metal Seat

- Investment Cast Body
- Max working pressure 200psi CWP



ITEM	PARTS	MATERIAL
1	BODY	ASTM A351-CF8M
2	BONNET	ASTM A351-CF8M
3	STEM	AISI 316
4	DISC	ASTM A351-CF8M
5	GLAND RING	AISI 316
6	GASKET	PTFE
7	PACKING	PTFE
8	SNAP RING	AISI 304
9	GLAND NUT	ASTM A351-CF8M
10	HAND WHEEL	SS 400
11	NAME PLATE	ALUMINUM
12	NUT	AISI 304

SIZE		1/2"	3/4"	1"	1-1/4"	1-1/2"	2"	2-1/2"	3"
L	in	2.24	2.40	2.72	3.09	3.21	3.72	4.57	5.16
	mm	57	61	69	78.5	81.5	94.5	116	131
H	in	3.94	3.94	4.84	5.31	5.91	6.69	10.24	11.61
	mm	100	100	123	135	150	170	260	295
W	in	2.44	2.44	2.95	2.95	3.74	3.74	4.72	4.72
	mm	62	62	75	75	95	95	120	120
Weight	lb	0.88	1.10	1.65	2.42	3.19	4.62	10.12	15.40
	kg	0.4	0.5	0.75	1.1	1.45	2.1	4.6	7
Cv		17.6	32	54	97	135	230	400	600