



MULTI PORT 3-4-5 WAY Full & Standard Bore

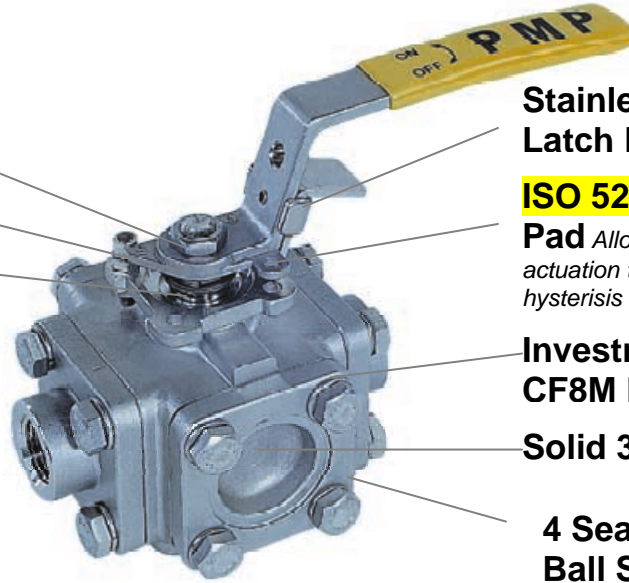
M33
ANSI 150/300
1/4" - 2"

Patented **"SEALMASTER"**
Double Stem Sealing
System

Blow out proof, anti-static stem

Live Loaded Stem Packing

- Designed to ANSI B16.34 class 150 & 300
- TUV-TA-LUFT certified stem sealing
- Flanged, NPT, SW, BW end connections & RPTFE seats for positive sealing
- Designed for mixing or diversion service
- Side or bottom ports
- Low operating torque
- **L, LL, T, TT PORTS**



Stainless Steel
Latch Lock Handle

ISO 5211 Mounting

Pad Allows direct mounting of
actuation to valve, reducing
hysteresis

Investment Cast
CF8M Body

Solid 316SS Ball

4 Seats for Rigid
Ball Support and
Positive Shut Off

Ball Port Configuration

STANDARD CONFIGURATIONS	OTHER AVAILABLE CONFIGURATIONS						
T5-90°	T4-90°	T3-90°	T6-90°	T1-180°	T2-180°	T3-180°	T7-180°

3 WAY "L" PORT

STANDARD CONFIGURATIONS	OTHER CONFIGURATIONS		VERTICAL "L"
L2-90°	L1-180°	L3-180°	L4-180°

4 WAY

"T" PORT	"L" PORT	"X" PORT
T8-180°	L5-180°	X-90°

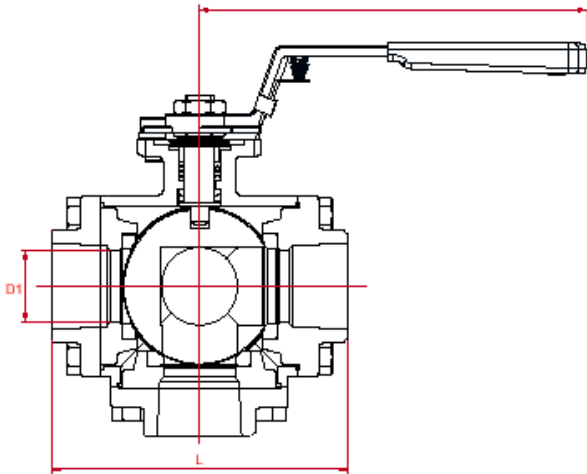
PMP Precision Valve Company Ltd. Is a progressive supplier of current products. The features, materials of construction and dimensional data as detailed in this bulletin are intended for your reference only, and should not be relied upon unless confirmed in writing by PMP Precision Valve Co. Ltd.. Certified dimensional drawings are available upon order receipt.



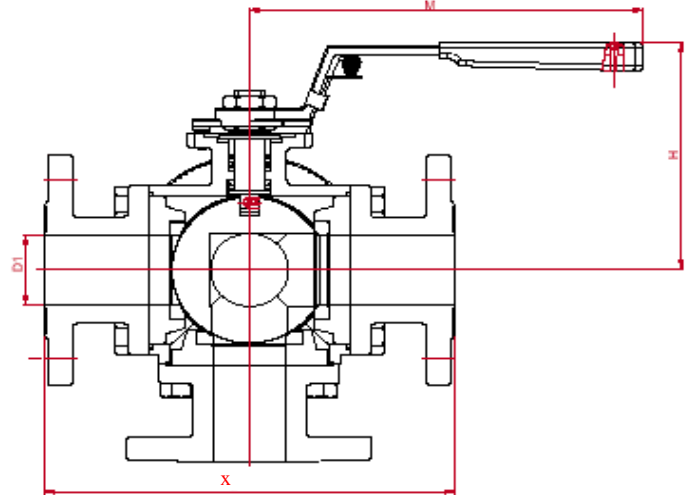
MULTI PORT 3-4-5 WAY Full & Standard Bore

M33
ANSI 150/300
1/4" - 2"

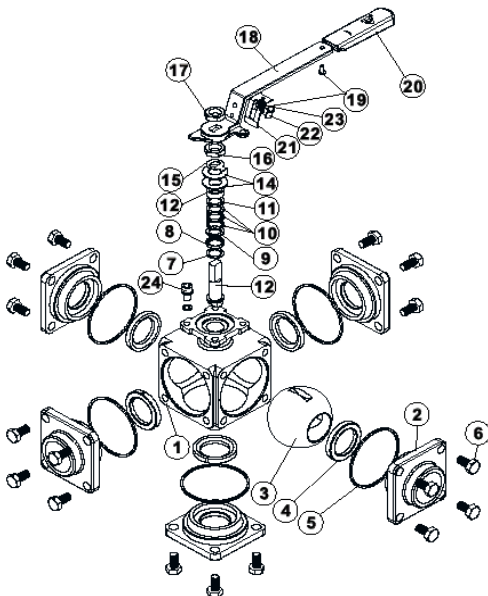
Threaded ends



Flanged ends



SIZE	FULL		3/8"	1/2"	3/4"	1"	1-1/4"	1-1/2"
	REDUCED		1/2"	3/4"	1"	1-1/4"	1-1/2"	2"
D 1	in		0.47	0.59	0.79	0.98	1.26	1.57
	m m		12	15	20	25	32	40
H	in		2.50	3.23	3.39	3.86	3.94	4.57
	m m		63.5	82	86	98	100	116
L	in		2.80	3.33	3.57	4.07	5.55	6.14
	m m		71	85	91	103	141	156
M	in		4.53	5.12	5.12	6.50	7.87	7.87
	m m		115	130	130	165	200	200
X	150lb	in	-	5.83	6.06	6.61	-	8.35
		m m	-	148	154	168	-	212
	300lb	in	-	6.06	6.46	7.13	-	8.78
		m m	-	154	164	181	-	223



NO	PART NAME	MATERIAL		Q'TY
1	BODY	ASTM A351 Gr. CF8M	ASTM A216 Gr. WCB	1
2	CAP	ASTM A351 Gr. CF8M	ASTM A216 Gr. WCB	4or5
3	BALL	SS316		1
4	BALL SEAT	RPTFE		4or5
5	BODY GASKET	PTFE		4or5
6	BOLT	A193 Gr.B8	A193 Gr.B7	16or20
7	LOWER THRUST WASHER	50% S.S POWER/50% PTFE		1
8	COMPRESS RING	SUS316		1
9	UPPER THRUST WASHER	TFM1600		1
10	V-RING STEM PACKING	PTFE		1SET
11	BUSHING	50% S.S POWER/50% PTFE		1
12	ANTI-STATIC STEM	A276 TYPE 316		1
13	GLAND	SUS304		1
14	BELLEVILLE WASHER	SUS301	WCB 1075	2
15	LOCK SADDLE	SUS304		2
16	STEM NUT	SUS304	S45C	1
17	BOLT NUT	SUS304	S45C	1
18	HANDLE	SUS304		1
19	RIVET	SUS304		2
20	HANDLE SLEEVE	VINYL		1
21	LOCKING TRIGGER	SUS304		1
22	FIX PLATE	SUS304		1
23	SPRING	SUS304		1
24	STOP BOLT	A193 Gr.B8	A193 Gr.B7	1

PMP Precision Valve Company Ltd. Is a progressive supplier of current products. The features, materials of construction and dimensional data as detailed in this bulletin are intended for your reference only, and should not be relied upon unless confirmed in writing by PMP Precision Valve Co. Ltd.. Certified dimensional drawings are available upon order receipt.