



3-Way Ball Valve

M333

2000 WOG
1/2" - 2"

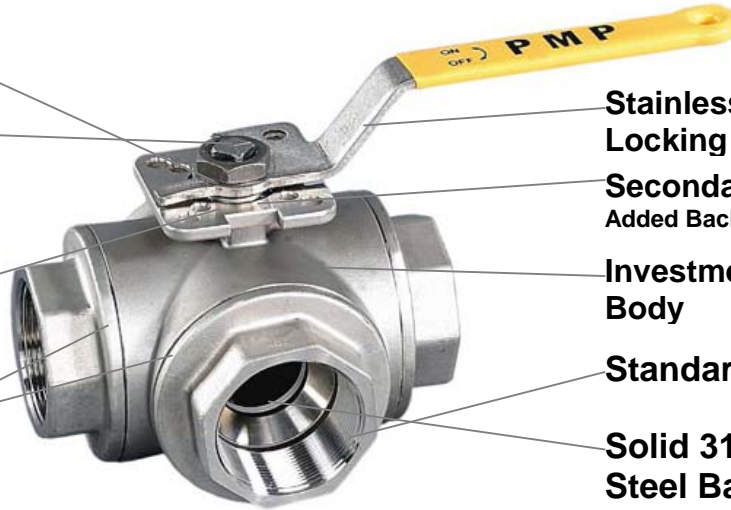
Locking Tab Washer
Blow-out proof stem

Square Stem for ISO
5211 mounting

Allows Direct Mounting of
Actuator, Reduces Hysteresis

Live Loaded PTFE
Stem Packing

4 Seats For Rigid Ball
Support and Positive
Shut-Off



Stainless Steel
Locking Handle

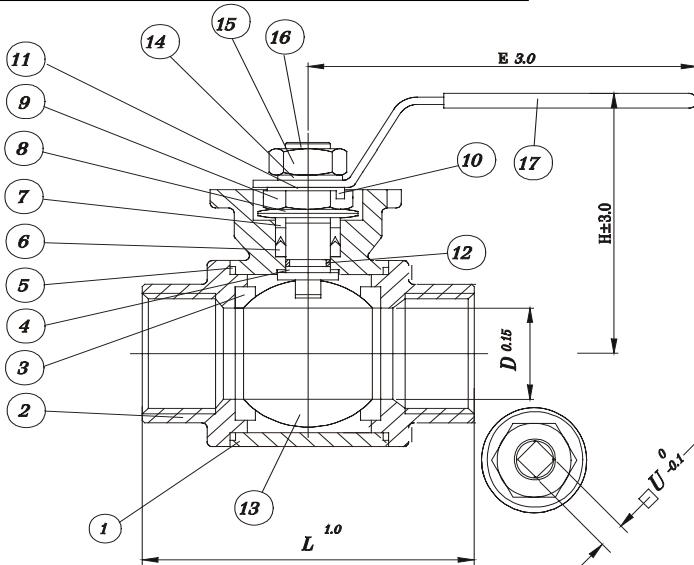
Secondary Viton Stem Seal
Added Backup Seal For Stem

Investment Cast CF8M
Body

Standard Bore

Solid 316 Stainless
Steel Ball
"L" or "T" Ports

- 2000 psi. WOG. CWP 1/2" - 1-1/4"
- 1500 psi. WOG. CWP 1-1/2" - 2"



NO	PART NAME	Q'TY	MATERIAL
1	BODY	1	CF8M
2	END CAP	3	CF8M
3	SEATS	4	RPTFE
4	THRUST WASHER	1	PTFE
5	BODY GASKET	3	PTFE
6	STEM PACKING	2	PTFE
7	GLAND	1	SS304
8	DISC SPRING	2	SS301
9	GLAND NUT	1	SS304
10	TAB WASHER	1	SS304
11	HANDLE	1	SS304
12	O-RING	1	VITON
13	BALL	1	SS316
14	WASHER	1	SS304
15	HANDLE NUT	1	SS304
16	STEM	1	SS316
17	COVER	1	PLASTIC

SIZE		1/2"	3/4"	1"	1-1/4"	1-1/2"	2"
D	in	0.47	0.50	0.75	1.00	1.25	1.50
	mm	12	15	20	25	32	40
L	in	3.15	3.44	3.94	4.84	5.60	6.72
	mm	80	87.5	100	123	142.2	170.6
U	in	0.35	0.43	0.43	0.43	0.43	0.55
	mm	9	11	11	11	11	14
E	in	4.49	5.24	5.24	7.36	7.36	7.36
	mm	114	133	133	187	187	187
H	in	2.87	3.07	3.27	3.62	3.86	4.96
	mm	73	78	83	92	98	126
ISO 5211		F03.F04	F04.F05	F04.F05	F04.F05	F04.F05	F05.F07

PMP Precision Valve Company Ltd. Is a progressive supplier of current products. The features, materials of construction and dimensional data as detailed in this bulletin are intended for your reference only, and should not be relied upon unless confirmed in writing by PMP Precision Valve Co. Ltd.. Certified dimensional drawings are available upon order receipt.