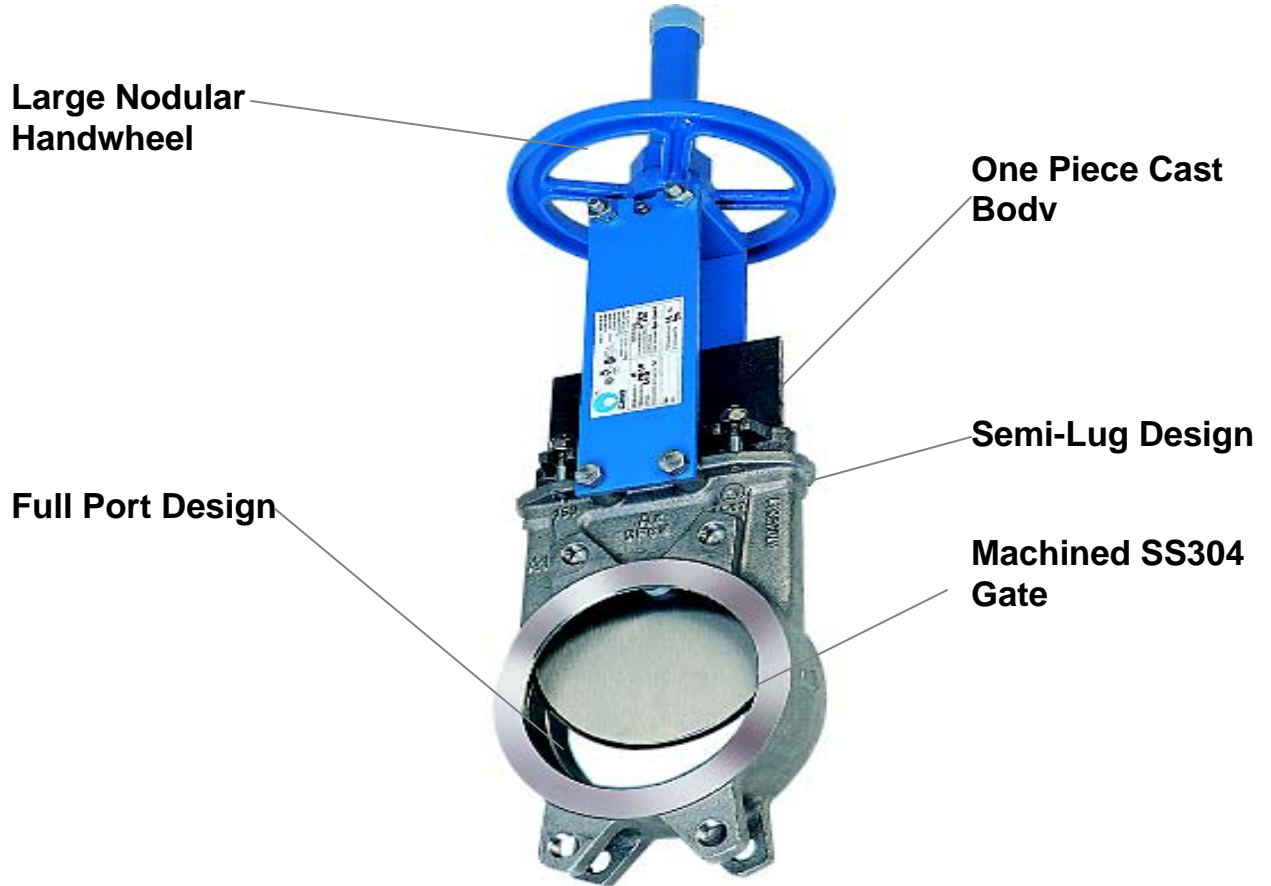




Cast Iron Knife Gate

Series A/AR

ANSI 150
Metal or Resilient Seat
2" - 36"

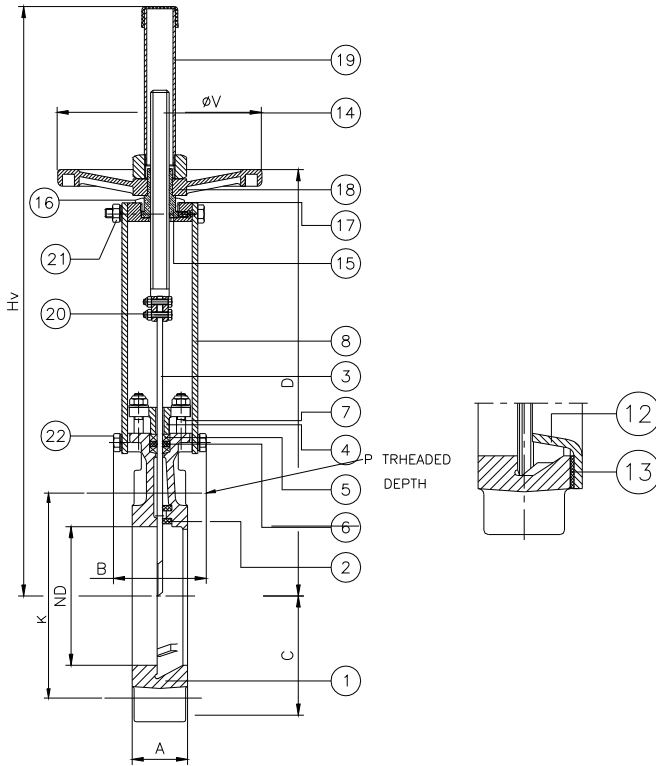


- Synthetic PTFE Packing
 - "O" Ring Wiper Ring
 - Steel Stem Protector
- **OPTIONS:**
 - CF8M Stainless Steel Body
 - "V" Port Flow Control
 - Non Rising Spindle
 - Bolted Bonnet Design
 - Quick Opening Lever, Manual Gear
- Pneumatic, Electric, Hydraulic Operators
 - Chain Wheel
- Limit Switches, Positioners, Solenoids



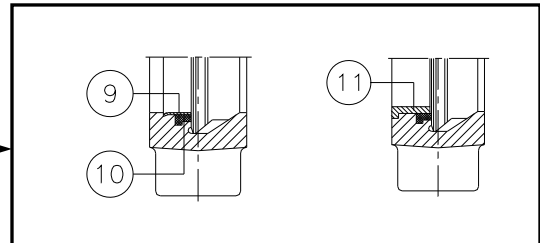
Cast Iron Knife Gate

Series A/AR
ANSI 150
Metal or Resilient Seat
2" - 36"



ITEM	DESCRIPTION	MATERIAL
1	BODY	GG25
2	GUIDE	RCH - 1000
3	GATE	304
4	PACKING GLAND	ALUMINIUM
5	PACKING	SYNTET. + PTFE
6	O - RING	EPDM
7	STUDS	STEEL + ZINC
8	SUPPORT	STEEL
9	RETAINER RING	316
10	SEAT	EPDM
11	REINFORCED SEAT RING	CF8M
12	DEFLECTION CONE	CA15
13	SEAL	BELPA DW
14	SPINDLE	303
15	STEM NUTS	BRONZE
16	NUTS	ST 44.2 + ZINC
17	YOKE	STEEL
18	HANDWHEEL	NODULAR IRON
19	HOOD	STEEL
20	BOLTS / NUTS / WASHERS	304
21	BOLTS / NUTS / WASHERS	STEEL
22	BOLTS / WASHERS	STEEL

**SERIES AR
RESILIENT SEATED**



SIZE		2"	2-1/2"	3"	4"	5"	6"	8"	10"	12"	14"	16"	18"	20"	24"	28"	32"	36"
A	in	1.57	1.57	1.97	1.97	1.97	2.36	2.36	2.76	2.76	3.78	3.94	4.17	4.33	4.33	4.33	4.33	4.33
	mm	40	40	50	50	50	60	60	70	70	96	100	106	110	110	110	110	110
B	in	3.62	3.62	3.62	3.62	4.02	4.02	4.69	4.69	4.69	11.42	11.42	11.42	11.42	11.42	12.60	12.60	12.60
	mm	92	92	92	92	102	102	119	119	119	290	290	290	290	290	320	320	320
C	in	2.48	2.76	3.62	4.13	4.72	5.12	6.30	7.80	9.21	10.08	11.50	12.13	13.39	15.75	17.80	19.88	21.85
	mm	63	70	92	105	120	130	160	198	234	256	292	308	340	400	452	505	555
D	in	11.38	12.44	13.46	15.04	16.34	18.03	22.64	26.61	30.55	35.67	39.84	43.23	47.64	55.75	63.43	73.62	82.80
	mm	289	316	342	382	415	458	575	676	776	906	1012	1098	1210	1416	1611	1870	2103
V	in	7.68	7.28	7.28	7.28	8.86	8.86	12.80	12.80	14.96	17.72	17.72	17.72	17.72	17.72	24.41	24.41	31.50
	mm	195	185	185	185	225	225	325	325	380	450	450	450	450	450	620	620	800
Hv	in	16.10	17.17	18.19	19.76	23.03	25.08	32.09	32.09	43.94	52.60	56.77	64.09	68.50	80.55	96.89	111.02	124.13
	mm	409	436	462	502	585	637	815	815	1116	1336	1442	1628	1740	2046	2461	2820	3153

PMP Precision Valve Company Ltd. Is a progressive supplier of current products. The features, materials of construction and dimensional data as detailed in this bulletin are intended for your reference only, and should not be relied upon unless confirmed in writing by PMP Precision Valve Co. Ltd.. Certified dimensional drawings are available upon order receipt.