



Flanged Knife Gate Valve

Series D

ANSI Class

150/300

2" - 48"

Nodular Iron Handwheel

- CF8M or WCB Construction
- Synthetic PTFE Packing
- Metal or Resilient Seat
- OPTIONS:**
 - Non Rising Handwheel
 - Chain wheel Operation
 - Manual Spur Gear
 - Pneumatic, Electric or Hydraulic Operators
 - Limit Switches, Positioners Solenoid Valves and Speed Controls

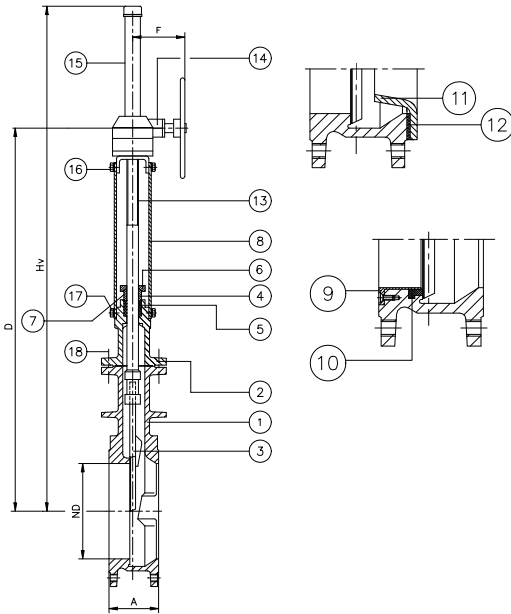


Bolted Bonnet, Rising Stem

One Piece Cast Body

Solid Gate

Full Port Design



NO	PART	MATERIAL	MATERIAL
1	BODY	A 216 WCB	CF8M
2	COVER	A 216 WCB	CF8M
3	KNIFE	304SS	316SS
4	PACKING GLAND	304SS	316SS
5	PACKING	SYNTET + PTFE	SYNTET + PTFE
6	PACKING GLAND FLANGE	STEEL	316SS
7	STUD	STEEL ZINC	316SS
8	SUPPORT	STEEL	STEEL
9	SOCKET	304SS	316SS
10	JOINT	EPDM	EPDM
11	DEFLECTOR	CA15	CA15/CF8M
12	JOINT	BELPA DW	BELPA DW
13	SPINDLE	303SS	316SS
14	SPUR GEAR	-----	-----
15	HOOD	STEEL	STEEL
16	BOLTS/NUTS/WASHERS	STEEL	STEEL
17	BOLTS/WASHERS	STEEL	316SS
18	BOLTS/NUTS/WASHERS	STEEL	316SS

SIZE/ND	2"	3"	4"	5"	6"	8"	10"	12"	14"	16"	18"	20"	24"	28"	32"	36"	40"	48"	
A	in	2.76	2.76	2.76	3.54	3.54	3.94	4.49	4.49	5.00	5.51	5.98	5.98	7.01	9.02	8.43	9.49	11.81	13.78
	mm	70	70	70	90	90	100	114	114	127	140	152	152	178	229	214	241	300	350
D	in	16.81	19.65	21.81	24.65	27.40	34.49	39.53	44.49	49.17	56.10	60.31	65.55	77.80	87.64	99.09	110.24	120.24	148.50
	mm	427	499	554	626	696	876	1004	1130	1249	1425	1532	1665	1976	2226	2517	2800	3054	3772
F	in	7.80	7.80	7.80	7.80	7.80	7.80	7.80	8.58	8.58	8.58	8.58	8.58	10.24	10.24	11.34	11.34	14.37	
	mm	198	198	198	198	198	198	198	218	218	218	218	218	260	260	288	288	365	
HV	in	22.72	22.72	27.72	30.55	34.06	45.87	50.91	55.87	64.49	71.46	83.50	88.74	100.98	115.12	132.68	149.13	0.00	0.00
	mm	577	577	704	776	865	1165	1293	1419	1638	1815	2121	2254	2565	2924	3370	3788		

PMP Precision Valve Company Ltd. Is a progressive supplier of current products. The features, materials of construction and dimensional data as detailed in this bulletin are intended for your reference only, and should not be relied upon unless confirmed in writing by PMP Precision Valve Co. Ltd.. Certified dimensional drawings are available upon order receipt.