



Smart Positioner

YT-2300
L/R

ROTARY



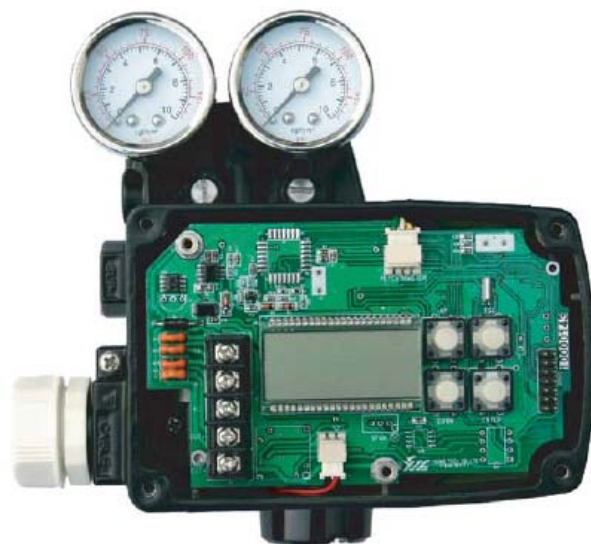
LINEAR



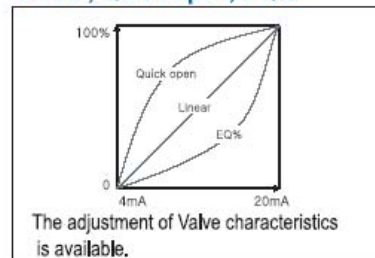
Specification

Type

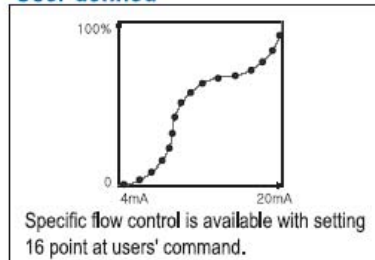
Item	YT-2300L Linear	YT-2300R Rotary
Single / Double	Single / Double	Single / Double
Input signal	4~20mA DC	
Minimum Current	3.2mA(Standard), 3.8mA(Hart Included)	
Supply Pressure ^x	20~101 psi	
Stroke	10 ~150 mm	60 ~90o
Impedance	500 Ohm Max / 20mA DC	
Air Connection	1/4 NPT	
Guage Connection	1/8 NPT	
Conduit Entry	PF 1/2(Standard) 1/2NPT (Option)	
Output Characteristics	Linear, =%, Quick Open User Set(16 Point)	
Ambient Temp.	-30°C~+ 85°C (-22~185°F)	
Linearity	+/-5% F.S.	
Sensitivity	+/-0.2% F.S.	
Hysteresis	0.5% F.S.	
Repeatability	+/-0.3% F.S.	
Flow Capacity	70LPM (2.4CFM)	
Air Consumption	2-3LPM (.071 - .106 CFM)	
Protection	IP66	
Communication Option	Hart	
Feedback Signal Option	4-20mA (DC 10-30V)	
Storage Temp.	-30°C~+ 85 °C (-22~185°F)	
LCD Operating Temp.	-10°C~+ 70 °C (-14~158°F)	
Weight	1.5kg (3.3 lb)	
Material	Aluminum Diecast	



Linear, Quick open, EQ%



User defined

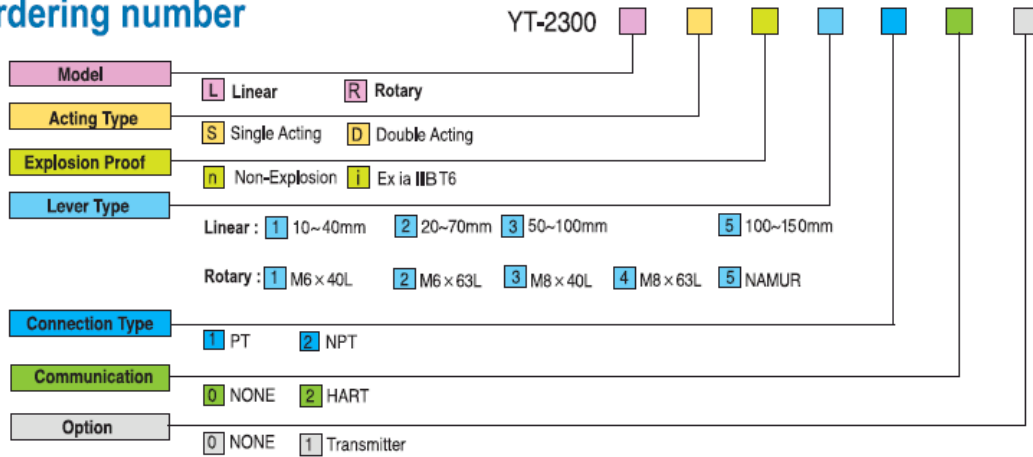




Smart Positioner

YT-2300 L/R

Ordering number

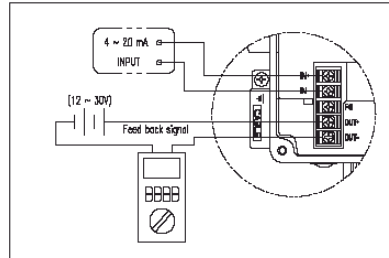


OPTION 1

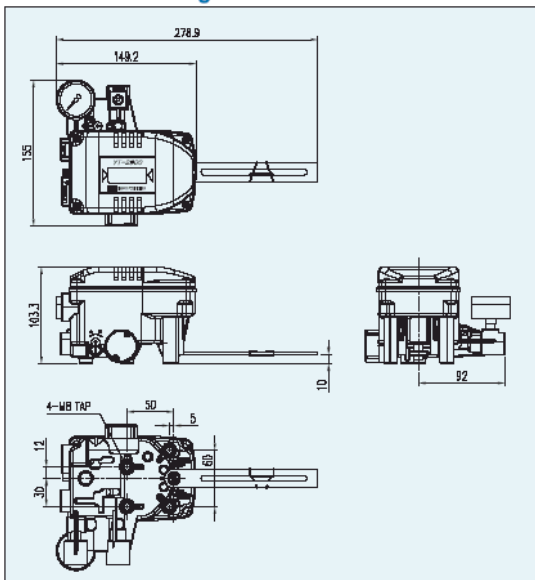
Hart communication makes to process various information of valve and positioner.

OPTION 2

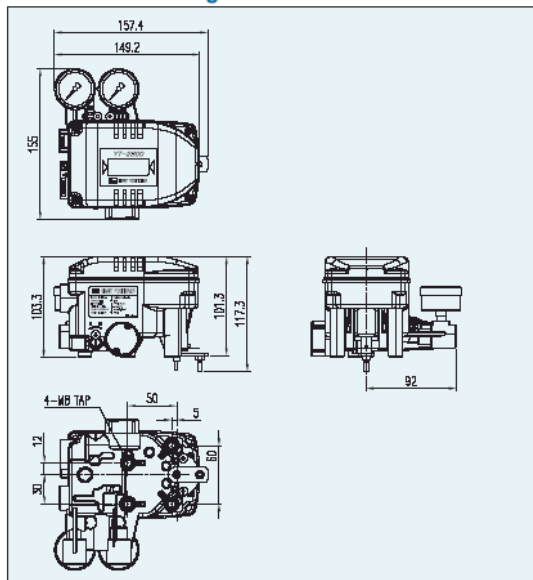
Valve system is stable by outputting analog Feedback signal.



YT-2300L drawing



YT-2300R drawing



PMP Precision Valve Company Ltd. is a progressive supplier of current products. The features, materials of construction and dimensional data as detailed in this bulletin are intended for your reference only, and should not be relied upon unless confirmed in writing by PMP Precision Valve Co. Ltd.. Certified dimensional drawings are available upon order receipt.